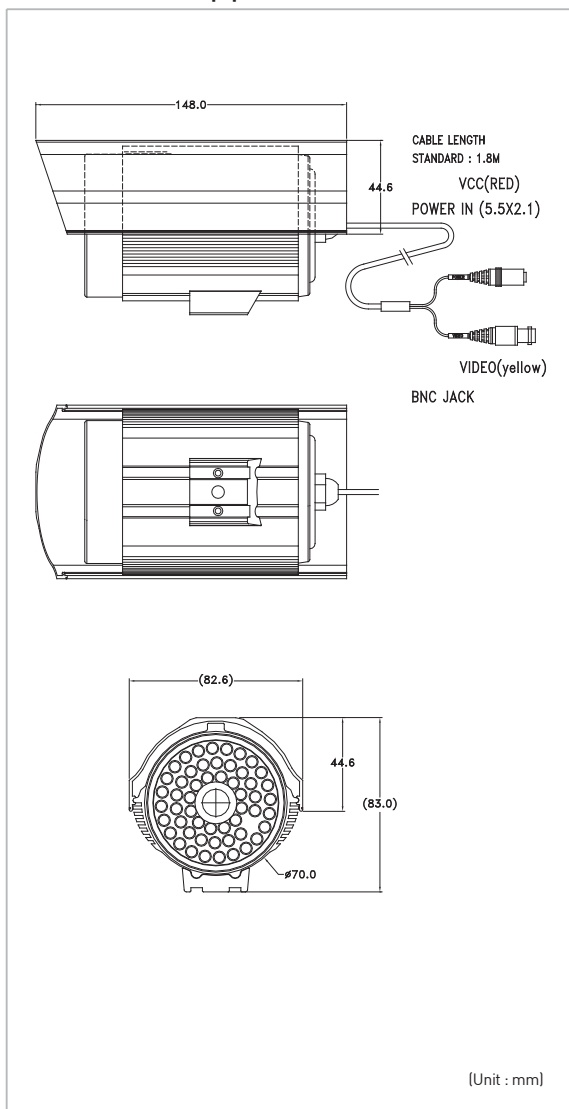


# KB-70 Series (Color IR Camera) | COLOR IR CAMERAS



## ■ Outward Appearance



## ■ Features

- IR Lamp Synchronizing (CDS sensor)
- High resolution picture quality through digital signal processor
- Wide voltage input operation
- Easy installation & operation
- Protection against rain and wind (IP66)

## ■ Lens Options

- FIXED BOARD LENS: 6 MM

## ■ Specifications

General Spec	KB-R70IR		KB-T70IR	
	NTSC	PAL	NTSC	PAL
Sensor	1/3" Interlaced color CCD		1/3" Interlaced color CCD	
H,Resolution	480		480	
Scanning system	525 Lines interlaced	625 Lines interlaced	525 Lines interlaced	625 Lines interlaced
Video output	Composite (1.0Vp-p), 75Ω		Composite (1.0Vp-p), 75Ω	
Synchronization	Internal		Internal	
Electronics iris	1/60 ~ 1/100,000	1/50 ~ 1/100,000	1/60 ~ 1/100,000	1/50 ~ 1/100,000
Light sensitivity	0.2Lux, With F1.2 30IRE		(B/W)0.04Lux with F1.2 30IRE	
Gamma	0.45		0.45	
S/N Ratio	46dB		46dB	
Input voltage	DC8.0-18[V]		DC8.0-18[V]	
Power consumption	MAX 6.72[W]		MAX 6.72[W]	
Operating temperature	-10°C ~ +55°C		-10°C ~ +55°C	
Storage temperature	-20°C ~ +70°C		-20°C ~ +70°C	
Operating Humidity	90% RH (non-condensing)		90% RH (non-condensing)	
Connection	Video	BNC Cable	BNC Cable	
	Power	DC JACK	DC JACK	
Dimension	148.0(Ø) X 82.6mm		148.0(Ø) X 82.6mm	
Weight	245g		245g	
Certification	CE/FCC		CE/FCC	