

Kawaden CCTV LENS

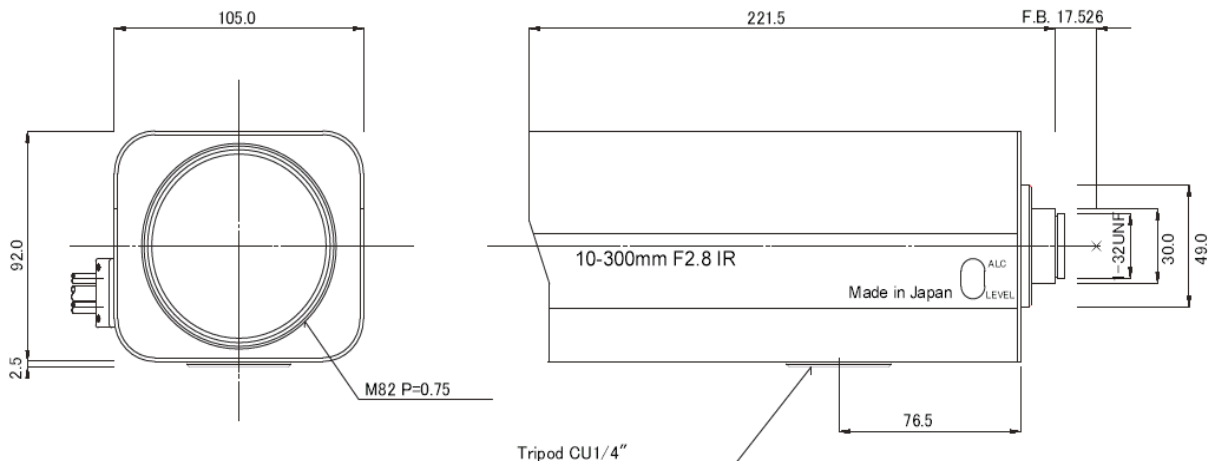
KZ30X1028IR Series

IR Corrected 10-300mm F2.8-360
Compact 30X Motorised Zoom Lens

Only 221mm long.
1930g in weight.
Aspherical Lens Element
The best for Day & Night



KZ30X1028DIR (DC Iris)
KZ30X1028DPIR (DC Iris, Preset)
KZ30X1028VIR (Video Iris)
KZ30X1028VPIR (Video Iris, Preset)



Optical & Mechanical Specifications

Focal Length	10-300mm	
Aperture Ratio	F2.8 -360	
Image Format	1/2 inch	
Angle of View (1/2")	D	Wide 43.6° - Tele 1.5°
	H	35.5° - 1.2°
	V	27.0° - 0.9°
Angle of View (1/3")	D	Wide 33.4° - Tele 1.1°
	H	27.0° - 0.9°
	V	20.7° - 0.7°
M.O.D.	3.0m	
Mount	C mount	
Dimensions	105.0(W) x 92.0(H) x 221.5(L) mm	
Weight	1930g (VIR), 1950g (VPIR)	

Electrical Specifications

Video Auto Iris (Model KZ30X1028SV/SVP)	
Input Voltage	DC8-16V, Max. 50mA
Input Signal	Video Signal (V or VS)
Sensitivity	0.5 - 1.0Vp-p
Response Speed	3.0 seconds or less
Zoom	
Input Voltage	DC6 - 12V, Max. 50mA (6V)
Response Speed	Approx. 6.5 seconds. W-T (6V)
Focus	
Input Voltage	DC6 - 12V, Max. 50mA (6V)
Response Speed	Approx. 10 seconds. N-F (6V)

Specifications are subject to change without notice