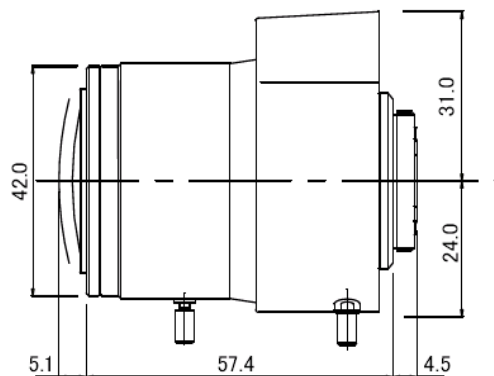


# **Kawaden** CCTV LENS

## **KVM4509D**

**1/2" C Mount 2.0 Megapixel  
Helpful Clear Image**

**Aspherical 2.0 Megapixel Vari Focal Lens  
4.5 - 9mm F1.6-360**



### Specifications

Model No.	KVM4509D	Flange Back Length	C/ 17.526mm
Focal Length	4.5 - 9.0mm	M.O.D.	0.5m
Max. Aperture Ratio	1 : 1.6-360	Dimensions	42.0(W) x 55(H) x 62.5(L) mm
Image Format	1/2 inch	Weight	124.2g
Mount	C mount	Operating Temperature	-10°C - +50°C
Operation	Iris	DC Auto Iris	
	Focus	Manual	
	Zoom	Manual	
Angle of View (1/2")	D	98.9° - 52.4°	
	H	78.4° - 42.1°	
	V	58.7° - 31.7°	

Specifications are subject to change without notice

**Kawaden Co., Ltd.**