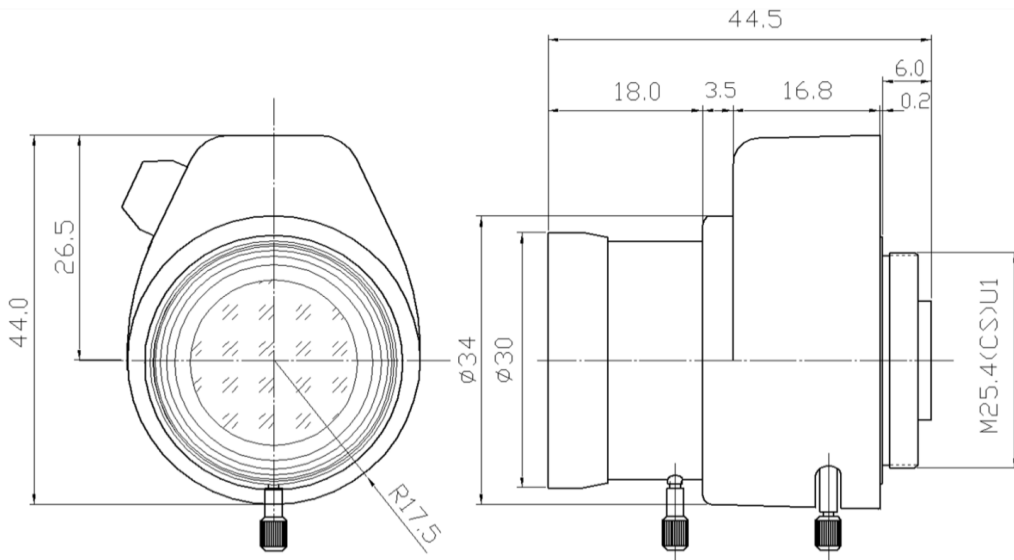


Kawaden CCTV LENS

KVM2811DIR

2.8-11mm F1.4 3 Megapixel
with Day/Night Performance

1/2.7", 1/2.8" & 1/3"
CS Mount
DC Iris IR Corrected



Specifications

Model No.	KVM2811DIR		Flange Back Length	12.5mm	
Focal Length	2.8-11mm		M.O.D.	0.2 M	
Max. Aperture Ratio	1:1.4 - 360		Dimensions	34(W) x 44(H) x 44.5(L)mm	
Image Format	1/2.7" 1/2.8" 1/3"		Weight	50g	
Mount	CS		Operating Temperature	-10°C - +50°C	
Operation	Iris	DC Auto (F1.4-360)	Angle of View (1/2.7")	D	99.4° - 33.4°
	Focus	Manual with Lock		H	86.6° - 27.0°
	Zoom	Manual with Lock		V	70.5° - 20.4°
			Angle of View (1/3")	D	93.9° - 30.5°
				H	81.2° - 24.6°
				V	65.5° - 18.6°

Specifications are subject to change without notice

Kawaden Co., Ltd.