



This passive infrared (PIR) camera combines a professional PIR with a sophisticated security camera.

The PIR camera is a double-duty surveillance tool that combines the detection capability of a professional PIR with the viewing capability of a security camera. Its high-quality PIR electronics detect objects in a 90° area up to 35 feet away. The camera hidden in the PIR comes equipped with a 3.6 or 5 mm pinhole lens.

The camera features a form C relay with both N/C and N/O contacts, so it can trigger other functions like video recording. The LED can be enabled or disabled during installation.

The PIR's black-and-white camera delivers a resolution of

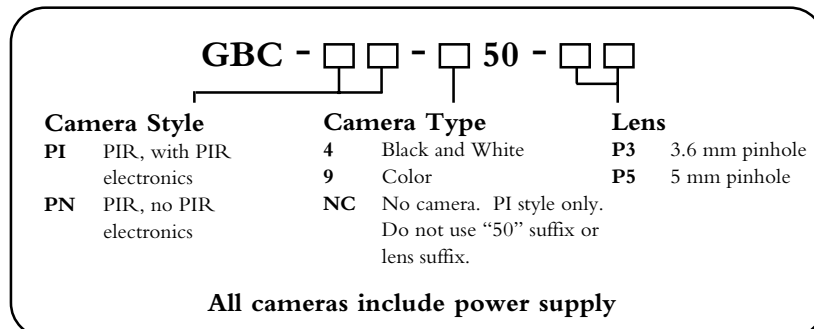
425 TV lines and light sensitivity of 0.3 lux. The color camera delivers a resolution of 380 TV lines and light sensitivity of 3 lux.

The camera features a high-speed electronic shutter that compensates for changing lighting conditions, from bright sunlight to dim outdoor lighting. It also features a backlight compensation circuit that prevents foreground objects from becoming silhouetted against bright backgrounds. It includes a plug-in power supply. The camera can be installed using easy-connect leads or the internal terminal strip.

Features

- Uses high-quality Sentrol commercial PIR electronics
- Can be mounted on a wall or in a corner
- Fully adjustable, heavy-duty swivel-mount bracket included
- Color or black-and-white camera
- 3.6 or 5 mm pinhole lens
- Form C relay—both N/C and N/O contacts
- LED may be enabled or disabled during installation
- Matching PIR-only unit also available
- Available with camera only, no PIR electronics
- Easy-connect leads or internal terminal strip

Part Numbers



Technical Specifications

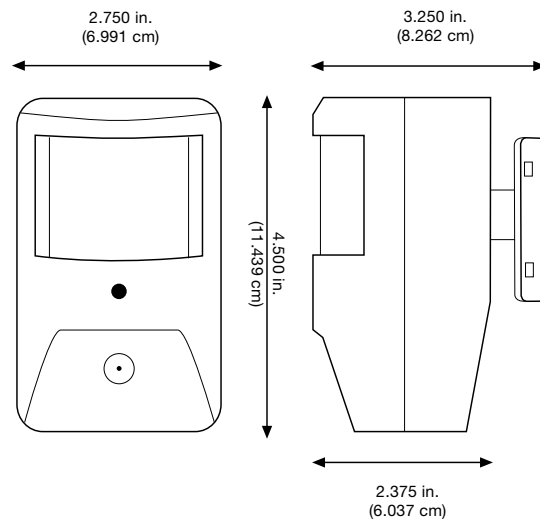
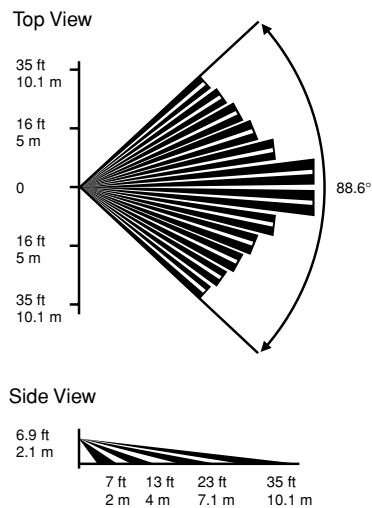
Black-and-White Camera

Image sensor	1/3-in. interline transfer CCD
Scanning system	2:1 interlace—525 lines, 60 fields (EIA); optional 625 lines, 50 fields (CCIR)
Effective picture elements	512 (H) x 492 (V)
Resolution	425 TVL
Sensitivity (Minimum illumination)	0.01 lux (faceplate) 0.3 lux with pinhole lens
Signal-to-noise ratio	48 dB (AGC off)
AGC	Max 30 dB
Backlight compensation	On (under AES), center weighted
Synchronization	Internal
Gamma compensation	0.45
Video output	1.0 V pk-pk 75 ohm unbalanced
Electronic shutter	AES 1/60–1/100,000 sec.
Power supply	12 VDC
Power consumption	95 mA 1.14 w
Operating temperature	0° to 140° F (-18° to 60° C)

Color Camera

Image sensor	1/3-in. interline transfer CCD
Scanning system	2:1 interlace—525 lines, 60 fields (NTSC); optional 625 lines, 50 fields (PAL)
Effective picture elements	512 (H) x 492 (V)
Resolution	380 TVL
Sensitivity (Minimum illumination)	0.1 lux (faceplate) 3 lux with pinhole lens
Signal-to-noise ratio	48 dB (AGC off)
AGC	Max 30 dB
Backlight compensation	On (under AES), center weighted
Synchronization	Internal
Gamma compensation	0.45
Video output	1.0 V pk-pk 75 ohm unbalanced
Electronic shutter	AES 1/60–1/100,000 sec.
White balance	Auto white balance 2,500° to 11,000° K
Power supply	12 VDC
Power consumption	120 mA 1.45 w
Operating temperature	0° to 140° F (-18° to 60° C)

PIR Detection Range



Mailing Address

PMB 225, P.O. Box 3004
Corvallis, OR, USA 97339
www.kalatel.com

Americas

toll free 800-469-1676
tel 541-754-9133
fax 541-754-7162

Asia

tel 852-2907-8108
fax 852-2142-5063

Australia

tel 61-3-9259-4700
fax 61-3-9259-4799