

You can mount the Mini-Ball camera on a wall or ceiling. You can also mount it over a single gang box.

At just 3 inches high, the Mini-Ball camera is small enough to fit in the palm of your hand. And you can mount it discreetly on a ceiling or wall (wall mount included). You can also mount it over a single gang box.

The gray Lexan® Mini-Ball camera is weatherproof and able to withstand temperatures ranging from -20° to 140° F.

During installation, you can rotate the ball 350° and tilt it 90° so you can get the picture you need wherever you mount it.

The Mini-Ball's black-and-white camera delivers a resolution

of 425 TV lines and light sensitivity of 0.1 lux. The color camera delivers a resolution of 380 TV lines and light sensitivity of 1 lux.

The camera features a high-speed electronic shutter that compensates for changing lighting conditions, from bright sunlight to dim outdoor lighting. It also features a backlight compensation circuit that prevents foreground objects from becoming silhouetted against bright backgrounds. It includes a plug-in power supply and easy-connect leads for simple installation.

Features

- Gray Lexan® construction
- Compact—only 3 in. high
- Weatherproof and operates in temperatures from -20° to 140° F
- Ball can be rotated 350° and tilted 90° during installation
- Mounts on ceiling or wall
- Can be mounted on wall over single gang box
- Color or black-and-white camera
- 2.5, 4, 6, 8, or 12 mm lens

Part Numbers

GBC - BC - [] 50 - [] []	
Camera Type	Lens
4 B/W	2.5 2.5 mm
9 Color	4 4 mm
	6 6 mm
	8 8 mm
	12 12 mm

All cameras include power supply

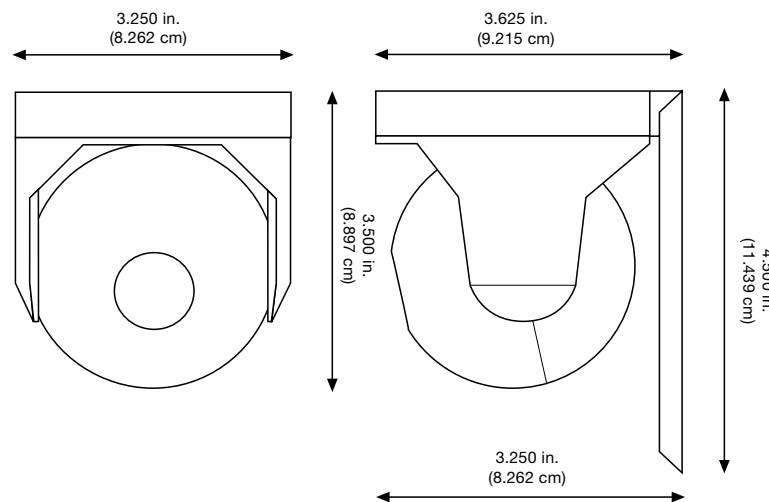
Technical Specifications

Black-and-White Camera

Image sensor	1/3-in. interline transfer CCD
Scanning system	2:1 interlace—525 lines, 60 fields (EIA); optional 625 lines, 50 fields (CCIR)
Effective picture elements	512 (H) x 492 (V)
Resolution	425 TVL
Sensitivity (Minimum illumination)	0.1 lux @ f1.2 0.01 lux (faceplate)
Signal-to-noise ratio	48 dB (AGC off)
AGC	Max 30 dB
Backlight compensation	On (under AES), center weighted
Synchronization	Internal
Gamma compensation	0.45
Video output	1.0 V pk-pk 75 ohm unbalanced
Electronic shutter	AES 1/60–1/100,000 sec.
Power supply	12 VDC
Power consumption	95 mA 1.14 w
Operating temperature	0° to 140° F (-18° to 60° C)

Color Camera

Image sensor	1/3-in. interline transfer CCD
Scanning system	2:1 interlace—525 lines, 60 fields (NTSC); optional 625 lines, 50 fields (PAL)
Effective picture elements	512 (H) x 492 (V)
Resolution	380 TVL
Sensitivity (Minimum illumination)	1 lux @ f1.2 0.1 lux (faceplate)
Signal-to-noise ratio	48 dB (AGC off)
AGC	Max 30 dB
Backlight compensation	On (under AES), center weighted
Synchronization	Internal
Gamma compensation	0.45
Video output	1.0 V pk-pk 75 ohm unbalanced
Electronic shutter	AES 1/60–1/100,000 sec.
White balance	Auto white balance 2,500° to 11,000° K
Power supply	12 VDC
Power consumption	120 mA 1.45 w
Operating temperature	0° to 140° F (-18° to 60° C)



Mailing Address
PMB 225, P.O. Box 3004
Corvallis, OR, USA 97339
www.kalatel.com

Americas
toll free 800-469-1676
tel 541-754-9133
fax 541-754-7162

Asia
tel 852-2907-8108
fax 852-2142-5063

Australia
tel 61-3-9259-4700
fax 61-3-9259-4799