

JVC

The Perfect Experience

NETWORK VIDEO RECORDER
VR-N900U

TENTATIVE

New Product News



**Hybrid Digital Recorder
for both Video and IP Cameras**



JVC's VR-N900U is the ideal solution for new or upgrading an existing system to digital IP networks, whether using analog, digital, or a mixture of both camera types. The VR-N900U uses an automatic IP camera addressing mode to make installation uncomplicated like analog. Easy operation is assured with the pre-installed application software by Milestone Systems, and the added versatility of a unique VCR/DVR-like design that makes it possible to control basic functions on the front panel. The VR-N900U is a true hybrid recorder for use in a standalone system up to multiples in a network-based solution.

Features

- Milestone XProtect Enterprise embedded for maximum user-friendliness and easy operation
- Easy installation with automatic detection function – just connect to your network and all necessary settings are done automatically
- VCR-like operation with front panel controls including Jog/Shuttle and RGB monitor output
- Open platform for enhanced scalability with external devices and future upgrades
- Total of 9 recording channels
- 250GB hard disk drive built-in
- PTZ camera support
- Motion JPEG/MPEG4 recording
- Up to 120fps at VGA
- Audio interfaces (Input x 2 / Output x 1)
- 4-ch encoder built-in

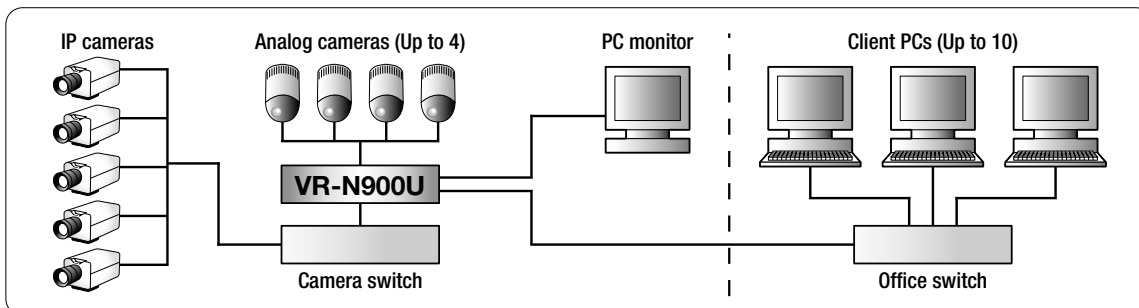
VR-N900U

• NETWORK VIDEO RECORDER •

Specifications (Preliminary)

Video recording	Motion JPEG or MPEG4
Recording frame rate	Up to 120fps in VGA
Storage capacity	250GB HDD (As an external option, another 250GB HDD can be installed.)
Video channels	9 video channels
Resolution	1024 x 768 / 1280 x 1024
Camera live view	Up to 9 windows
Audio support	Each IP camera's audio and 2 direct audio inputs
PTZ support	Control of JVC IP cameras VN-C625/VN-C655, and JVC-protocol or Pelco-D protocol analog cameras through RS-485 connector
Alarm recording	Recording is controlled by the IP camera's alarm signal input to the rear terminal.
Alarm recording frame rate	Frame rate for alarm recordings can be specified independently from the frame rate of normal recording.
Scheduled recording	Various recording settings are possible such as by weekly.
Manual recording	Recording start/stop for all 9 channels can be controlled by the switch on the front panel.
Playback	Playback can be controlled by Jog/Shuttle dial.
Synchronized playback	Sync playback for 9 channels is possible.
Search for recordings	Search by time, date, or event (Time and date only when operated with front panel)
Video clip export	Export is possible with converting AVI data.
Time synchronization	Date and time can be synchronized with an external NTP server.
System alarm notifications	ALARM OUT x 1, WARNING OUT x 1, RECORD TALLY, OPTION OUT 1/2
Security	Protected by username and password
Connectors (Interfaces)	Ethernet 10BaseT/100BaseTX, RJ-45 / Ethernet 1000BaseT, RJ-45 USB x 5 (Camera control) / BNC x 4 (Video input) RCA x 2 (Audio input), RCA x 1 (Audio output)
Processors and memory	CPU: Celeron-D* / RAM: 512MB
Power	100 – 240V AC
Operating conditions	5 – 40°C (41 – 104°F), humidity 30 – 80% RH
Video access from Web browser	Live view / Playback of recording image / Camera control / AVI data conversion
Supported protocols	HTTP, SMTP, TCP, DHCP, ARP, DNS, NTP
Included accessories	Startup guide, CD with User's manual, Power cords
Dimensions and weight	420mm (W) x 370mm (H) x 88mm (H), 8.3kg

*Celeron-D is a patent product registered by Intel Corporation.



All brand or product names may be trademarks and/or registered trademarks of their respective owners. Copyright © 2006, Victor Company of Japan, Limited. All Rights Reserved.

JVC®

DISTRIBUTED BY



Design and specifications subject to change without notice.



■ Hachioji Business Centre of Victor Company of Japan, Ltd. has received ISO14001 Certification for environmental management and ISO9001 Certification for quality assurance management.

Printed in Japan

VEC-0319 VRN900NPNKN0610

"JVC" is the trademark or registered trademark of Victor Company of Japan, Limited.