



HD NETWORK CAMERA

**VN-T16U**  
**VN-T216U**  
**VN-T216VPRU**



**LoLux HD™**

**Full HD**  
1920 x 1080

**Multi**  
Codec

**H.264**  
High Profile  
SLL DSP

**ONVIF**

- ▶ Full HD 1920x1080
- ▶ Multi Codec
- ▶ H.264 High Profile



Lens not included

#### + Full HD Monitoring

Incorporates a 1/2.7-type Megapixel CMOS sensor for high-resolution Full HD images of up to 1920x1080 pixels.

#### + ONVIF support

Supports ONVIF – world standard protocols for network cameras.

#### + Multi Codec support

Compatible with H.264, Motion JPEG, and MPEG4. Dual stream of Motion JPEG and H.264 or MPEG4 is possible.




#### + H.264 High Profile support

H.264 High Profile offers even higher compression efficiency and precision than H.264 Baseline Profile or H.264 Main Profile that is incorporated in ordinary cameras. It enables distribution of high resolution images while saving even more bandwidth.

#### + Other Features

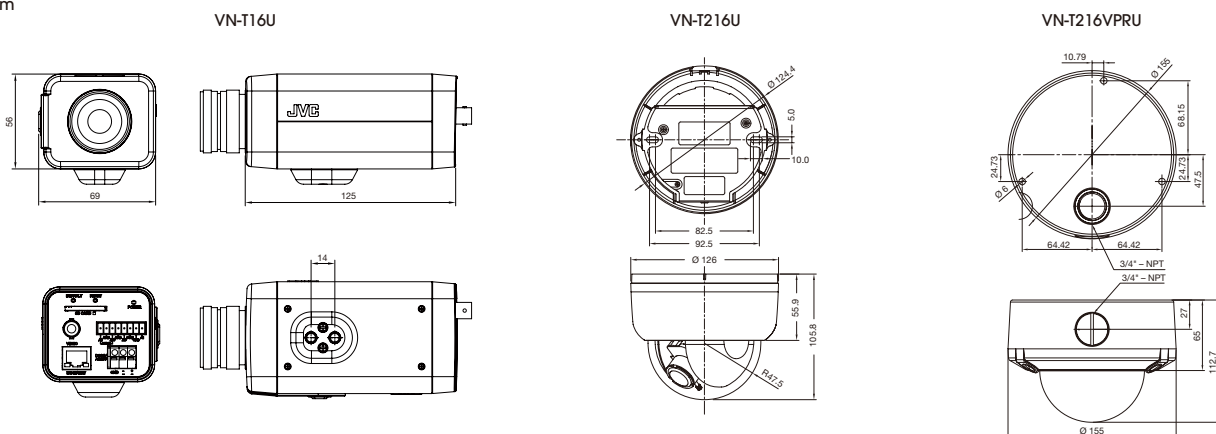
- Simultaneous connection of up to 6 clients
- Two-way audio communication to output alert sound to the camera or to record camera sound
- High sensitivity 0.3 lx (25% F1.2) minimum color illumination and high-quality pictures with 50 dB S/N ratio
- Alarm In/Out and SDHC-compatible card slot for storage of alarm data
- A variety of security features including BLC function to compensate for strong backlighting, Day/Night function to enable round-the-clock surveillance, and Motion Detection function to detect movement of the subject
- [VN-T216VPRU] IR LED with distance of 15m
- [VN-T216VPRU] IP66 standard for outdoor installation

## Specifications

	VN-T16U	VN-T216U	VN-T216VPRU
			
<b>Operational Specifications</b>			
Image Device	1/2.7-type Megapixel CMOS sensor		
Sync System	Internal		
Sensitivity	Color: 0.3 lx, B/W: 0.3 lx (25% F1.2)		
Day/Night	Easy D/N		True D/N
IR-LED	-		Yes (IR Distance 15m)
Auto Gain Control	Off/On, selectable		
White Balance	ATW (2800K – 8500K) and Manual		
Electric Shutter	PAL: 1/25 – 1/10000 sec. NTSC: 1/30 – 1/10000 sec		
Noise Reduction	Yes		
3 Axis Gimbals	-		Yes
Motion Detection		Yes	
Lens Type	Optional (1/3-type CS mount with easy back focus adjustment)	1/3-type 3-9mm, F:1.2	1/3-type 3-9mm, F:1.2 IR cut filter built-in
BLC	Yes		
Audio	Line In/Out		
Alarm	1 In / 1 Out (Alarm out spec: 0.5A / AC 120V max)		
<b>IP Specifications</b>			
Video Compression	H.264 & MPEG4 & MJPEG		
Video Streaming	Real time stream: 1080P H.264 or 720P H.264+D1 or D1+D1 Independent controllable frame rate and bandwidth. Constant or variable bit-rate control		
Resolution	PAL: 1080P (1920 x 1080), 720P (1280 x 720), D1 (720 x 576), 4CIF (704 x 576), VGA (640 x 480), CIF (352 x 288), QVGA (320 x 240) NTSC: 1080P (1920 x 1080), 720P (1280 x 720), D1 (720 x 480), 4CIF (704 x 480), VGA (640 x 480), CIF (352 x 240), QVGA (320 x 240)		
Image Frame Rate	PAL: Up to 25fps NTSC: Up to 30fps		
Security	Multiple user access levels with password protection		
Users	1 Administrator, 5 users		
Video Access from Web Browser	Full control of all camera settings available to administrator		
Minimum Web Browsing Requirements	OS: Windows XP or Windows 7 Browser: Internet Explorer Version 6.0 to 8.0, CPU: Intel Pentium IV X2 2.4 GHz or equivalent AMD, Memory: 1G or above		
Supported Protocols	IPv4, HTTP, TCP, RTSP, RTP, ICMP, UDP, IGMP, RTCP, FTP, DNS, DHCP, ARP		
Network interface	RJ-45, 100BASE-TX/10BASE-T, FULL/HALF/Auto negotiation		
Surveillance Protocol	ONVIF compatible (pass compliance test tool)		
Onboard Storage	SDHC Memory Card (class 10 suggested)		
<b>Electrical</b>			
Power Supply	PoE IEEE 802.3af Class 0, DC12V, AC24V		PoE IEEE 802.3af Class 0, AC24V
Power Consumption	PoE 0.13A, DC12V 550mA		PoE 0.15A, AC24V 800mA
<b>Mechanical</b>			
Dimensions (without protrusions)	56mm (H) x 68mm (W) x 125mm (L) (2-1/4" (H) x 2-11/16" (W) x 4-15/16" (L))	Ø 126mm x 106mm (5" x 4-3/16")	Ø 155mm x 112.7mm (6-1/8" x 4-7/16")
Weight	390g (0.86lb)	490g (1.1lb)	1360g (3.0lb)
Connectors	Power Input: [VN-T16U] Spring terminal [VN-T216U/T216VPRU] removable terminal block Network: RJ45 connector Audio In/Out: removable terminal block Alarm In/Out: removable terminal block		
<b>Environmental</b>			
IP66 Standard	-		Yes
Operating Temperature	-10°C to 50°C (14°F to 122°F)		
Operating Humidity	0% to 90%		
Storage Temperature	-20°C to 60°C (-4°F to 140°F)		

## Dimensions

Unit: mm



All brand or product names may be trademarks and/or registered trademarks of their respective owners.

Copyright © 2012, JVC KENWOOD Corporation

Design and specifications subject to change without notice.

# JVC

DISTRIBUTED BY