

# JVC®

The Perfect Experience / —  
/ —

◆ **0.015 Super LoLux™**  
**lux** (in B&W Mode)

◆ **0.5 Super LoLux™**  
**lux** (in Colour Mode)

PTZ DAY/NIGHT DOME CAMERA

# TK-C655E(B)

(AC 24V)

1/4" High Resolution Camera with 25x Zoom  
and IR Cut Filter for 24 Hours a Day  
Surveillance



- IR Cut Filter ON/OFF
- Super LoLux™ sensitivity:
  - Colour mode 2.0 lux (AGC 20dB, 50% video, wide end)
  - 1.0 lux (AGC 20dB, 25% video, wide end)
  - 0.5 lux (AGC 20dB, 25% video, x2 sense up)
  - B&W mode 0.06 lux (AGC 20dB, 50% video, wide end)
  - 0.03 lux (AGC 20dB, 25% video, wide end)
  - 0.015 lux (AGC 20dB, 25% video, x2 sense up)
- 1/4" High resolution IT CCD with 440,000 effective pixels
- Extended dynamic range (ExDR)
- 25x optical zoom lens (3.8 mm to 95 mm)
- Motion Detection
- Built-in menu with Private Mask and Auto Black
- Auto Trace/Auto Pan/Auto Patrol/Area Title
- Variable Pan/Tilt speed
- 180 degree Auto flip/Digital flip
- 100 pre-set positions
- Easy AF and one-touch auto focus
- Easy to install mechanism
- 360 degree endless rotation
- RS-422A/RS-485 Interface
- Alarm terminal (Input x 4, Output x 3)

# A Bird's-Eye View – Versatile Indoor and Outdoor\* Surveillance Solution with Full-Auto and Manual Operation, with 25x Zoom and IR Switching



\* For outdoor use, appropriate external dome housing is additionally needed.



With its 360 degree bird's-eye view, JVC's powerful TK-C655E (B) dome camera eliminates blind spots to provide you with a high-security indoor and outdoor surveillance solution. Featuring a high resolution 1/4", Super Lolux™ CCD, this easy-to-install camera can capture sharp, colour pictures even at 0.5 lux, while its infrared (IR) switching function allows it to operate efficiently in the dark with IR illumination at 0.015 lux (x2 sense up in B&W mode). In automatic mode, functions like Auto Patrol, Panic Alarm and Motion Detection maximise security with single camera operation or as part of a multi-camera system under RS-485 control. In manual mode, the Easy Auto Focus function and 25x zoom lens, with variable pan and tilt speed, let you quickly zero in on trouble spots. Built for long term service, the TK-C655E (B) is a highly reliable and cost efficient, all purpose surveillance solution.



■ **1/4" High Resolution IT CCD**

The TK-C655E (B) incorporates a high resolution 1/4" interline transfer CCD (752H x 582V pixels) to deliver very sharp, clear pictures.

■ **Extended Dynamic Range (ExDR)**

A DSP with a wide dynamic range is a JVC innovation that shoots bright areas of a scene with a high-speed shutter exposure, whilst also shooting dark areas with a normal exposure. The images are read and synthesised to create a single image that accurately reproduces the scene with light and dark areas perfectly exposed.

■ **Super LoLux™ 0.5 lux and High Quality Colour Pictures**

Super LoLux™ lets you shoot high-quality pictures in ambient light as low as 0.5 lux, making the TK-C655E (B) more sensitive than the naked eye.

■ **IR Switching Capability**

Images of objects illuminated with infra-red wavelengths between 750 nm to 880 nm can be accurately captured by this camera.

■ **AF for IR function**

Auto focus function activates when switching from colour to black and white or vice versa, ensuring clear pictures even during switching.

■ **High Quality and High Powered 25x Zoom Lens**

The TK-C655E (B) features a professional quality F1.6 lens with a 25x optical zoom range (3.8 mm to 95 mm).

■ **ExDR and Iris AV: PEAK Level function**

ExDR and Iris level can be set for each position, ensuring that clear pictures can be obtained in all positions, regardless of the camera settings.

■ **Auto Return function**

The camera can be set to return automatically to its original position or to restart a specified operation (auto pan or auto patrol) at selected intervals. Intervals can be selected from 1, 2, 3, 5, 10, 20, 30 or 60 minutes.

■ **Variable Pan/Tilt Speed**

Both the pan speed (1 degree/sec. to 300 degrees/sec.) and the tilt speed (1 degree/sec. to 180 degrees/sec.) have a wide range of user settings to suit all types of site conditions and applications.

■ **Auto Patrol Mode**

With three Auto Patrol Mode settings and 100 pre-set positions, the versatile TK-C655E (B) can deliver surveillance coverage of a wide area by user programming.

■ **Auto Trace function**

The Auto Trace function lets the operator replay a series of manual camera operations performed over a period of 30 seconds. When Trace Mode is activated, the 30-second sequence of manual operations is memorised and then repeated every 30 seconds.

■ **180 Degree Auto Flip/Digital Flip**

With the function switched on, the camera automatically flips over 180 degrees when it reaches its tilting limit, making it possible for the camera to continue displaying right-way-up images once it has gone through the vertical. Digital flip inverts pictures on both vertical and horizontal axes once the tilt reaches 135 degrees, after the camera has passed through the vertical axis.

■ **Alarm function**

The 4 input and 3 output terminals can be configured to suit the user's requirements. Different settings can be applied to each input. Each output can be set to activate different items, such as a DVR or a buzzer.

■ **Private Mask function**

Using the Private Mask function, operators can mask selected areas within the observed area. Tilt range for Private Mask is 0 degree to 45 degrees.

**Other Features**

- **Built-in Menu**
- **Accepts RS-422A/RS-485 Control Signals**
- **Auto-Black ON/OFF**
- **Easy Auto Focus**
- **Motion Detection**
- **360 Degree Endless Rotation**

**Note:**

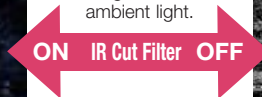
When the camera is positioned with around 45 degrees of tilt, the blanked-out upper dome section comes into camera view. To avoid this eventuality, there is a user option in the menu to set a tilt limit for 0 degree to 10 degrees, up to 170 degrees to 180 degrees.

**Image of IR Cut Filter ON/OFF**

These are sample images. Actual pictures may vary depending on conditions.



The IR Cut Filter automatically switches between ON and OFF, according to the level of ambient light.



**Images of Extended Dynamic**

These are sample images. Actual pictures may vary depending on conditions.



**High speed shutter**  
The trees and grass can be seen clearly through the windows, but the detail in the foreground is lost



**Normal speed shutter**  
The detail in the foreground is clear but nothing is visible through the windows



**Extended Dynamic Range**  
The best of both imaging methods is electronically combined to show detail in both the foreground and in the background beyond the windows

## Specifications

### ■ CAMERA

Pickup device	1/4" IT CCD
Number of effective pixels	440,000 (752H x 582V)
Sync system	Line Lock, Internal
Scanning frequencies	Horizontal 15.625 kHz Vertical 50 Hz
S/N	50 dB (typical), (AGC OFF, ENHANCE -5)
Horizontal resolution	480 TV lines (typical)
Minimum illumination	
Colour mode	2.0 lux (AGC 20dB, 50% video, wide end) 1.0 lux (AGC 20dB, 25% video, wide end) 0.5 lux (AGC 20dB, 25% video, x2 sense up)
B&W mode	0.06 lux (AGC 20dB, 50% video, wide end) 0.03 lux (AGC 20dB, 25% video, wide end) 0.015 lux (AGC 20dB, 25% video, x2 sense up)
Dynamic range	400x (Max.)
White balance	TTL auto tracking/Manual
Electronic shutter	1/50, 1/120, 1/250, 1/500, 1/1000, 1/2000, 1/4000, 1/10000 sec.
Backlight compensation	4 photometry areas selectable
Colour level adjustment	Yes
Contour correction	Horizontal and Vertical (ENHANCE)

### ■ LENS

Zoom ratio	25x
Zoom range	3.8 mm to 95 mm
Maximum aperture	F1.6 (WIDE) to F3.7 (TELE)

### ■ MOVING MECHANISM

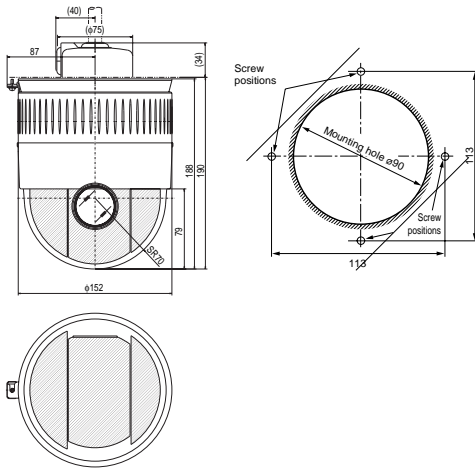
Panning range	360° endless rotation
Panning speed	1°/sec. to 300°/sec.
Tilting range	0° to 180° (Horizontal - Straight downwards - Horizontal)
Tilting speed	1°/sec. to 180°/sec.

### ■ GENERAL

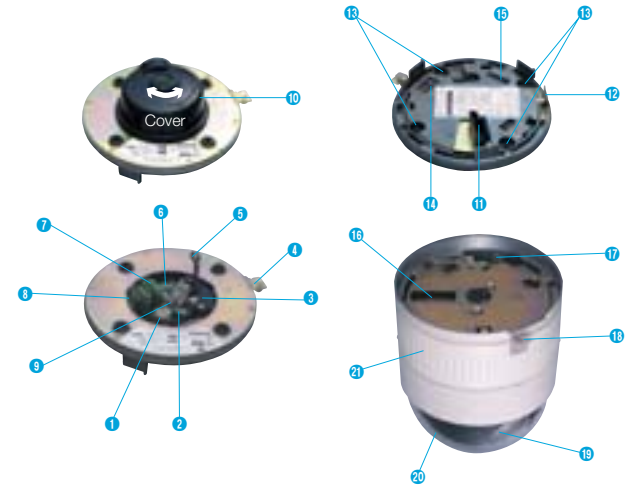
Power supply	AC 24 V, 1.3 A
Preset positions	100
Optional remote control unit	RM-P2580E
Control signal connection terminal	EIA RS-485 compliant, 9600 bit/sec.
Operating temperatures	-10°C to 50°C (operating), 0°C to 40°C (recommended)
Ambient humidity	35% to 90%RH (without condensation)
Weight	2.4 kg

## Dimensions

Unit: mm

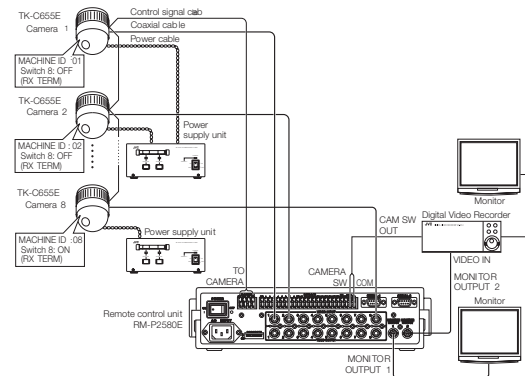


## Controls, Connections and Indicators



- 1 [VIDEO OUT] Coaxial Cable Terminal
- 2 [AC 24V INPUT] Terminal
- 3 Cover Position Alignment Mark
- 4 Locking Screw
- 5 Safety Wire Hole
- 6 Alarm Input Terminals
- 7 [ALARM] Input/Output Terminals
- 8 [CONTROL] Terminals
- 9 Alarm Output Terminals
- 10 Cover
- 11 Camera Connector (Female)
- 12 Drop Prevention Hook
- 13 Clamping Holes (x 4)
- 14 [MACHINE ID] Switch
- 15 Setting Switches
- 16 Connector (Male)
- 17 Drop Prevention Wire
- 18 Camera Clamping Bracket
- 19 Lens
- 20 Dome Cover
- 21 Camera Body Cover

## Multi-Drop Communication System with RM-P2580E



## Accessories

- **WB-S571U**  
Ceiling suspension pole
- **WB-S572U**  
Wall mounting bracket
- **WB-S573U**  
Ceiling surface mounting bracket



### ■ RM-P2580E



Design and specifications subject to change without notice.

# JVC®

DISTRIBUTED BY



■ The Hachioji Plant of Victor Company of Japan, Ltd., has received ISO14001 and ISO9001 Certifications under the global standard for environmental management.