



IndigoVision

Complete IP Video Security Solutions



HD Minidome Range

Seamless Open Standard HD Video

IndigoVision's HD Minidomes form part of our end-to-end IP video security solution, fully integrated with IndigoVision's SMS4 management software and Network Video Recorders.

The HD Minidome family provides an Open Standards solution while retaining the resilience of IndigoVision's unique distributed serverless architecture, with no bottlenecks and no single-point-of-failure.

- 2 Megapixel HD Progressive Scan
- ONVIF Conformant
- Auto-Focus and Remote Zoom available
- H.264 Compression with up to 30fps
- Audio and Built-in Microphone options
- Day/Night with Auto Mechanical IR filter



IndigoVision's HD Minidome range is ideally suited to a Multicast environment allowing an unlimited number of users to view live video on the network.

A powerful Auto-focus and zoom feature is available as an option. This enables the camera lens to be remotely driven on-demand by any authorized user from anywhere on the IP network, simplifying installation and reducing on-going cost of ownership.



HD Microdome



HD Internal Minidome



HD Vandal Resistant Minidome

Camera Product Codes

HD Minidome	Standard Lens		Standard Lens with remote Zoom and Focus	
	PAL Region*	NTSC Region	PAL Region*	NTSC Region
Internal Microdome	511707	511706	N/A	N/A
External Microdome	511709	511708	N/A	N/A
Internal Minidome	511717	511716	511719	511718
Vandal Resistant Minidome	511737	511736	511739	511738

* Default frame rate for PAL Region is 25fps, configurable up to 30fps.

Recording Codes

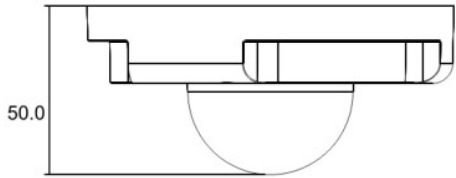


The camera range conforms to the ONVIF Standard and can be recorded to any of the IndigoVision NVR-AS range. Licenses for recording can be purchased separately.

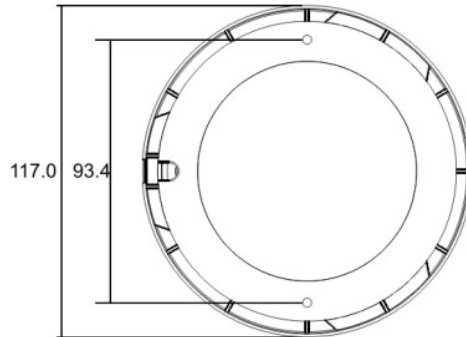
Number of Channels	1	5	10	20	40	64	100	200	Additional 1-Channel
NVR-AS 3000 Recording	314001	314005	314010	314020	314040	314063	N/A	N/A	314551
Windows NVR-AS Recording*	312001	312005	312010	312020	312040	312065	312100	312200	312551

*Recording of IndigoVision HD Minidomes requires a USB license dongle for each Windows recording server. The Windows NVR-AS software is included on the SMS4 management software CD, **product code: 317802**

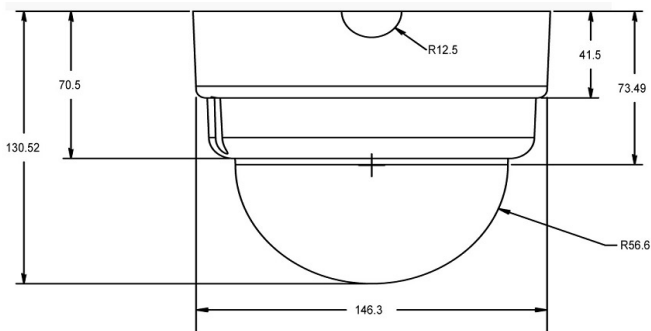
Dimensions - Microdome (Internal / External)



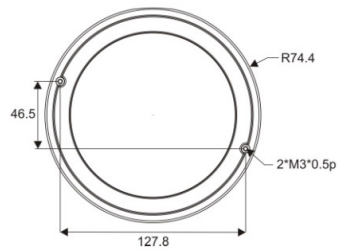
Unit: (mm)



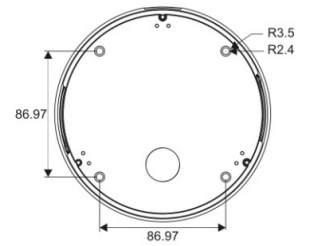
Dimensions - Internal Minidome



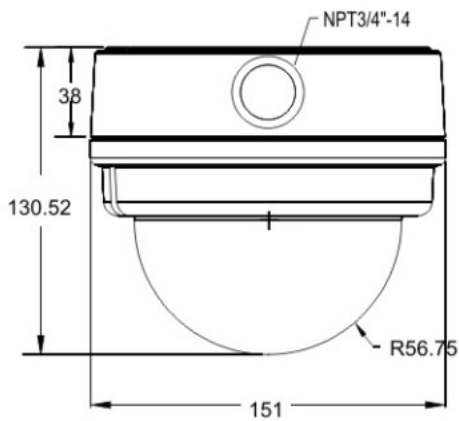
Top View



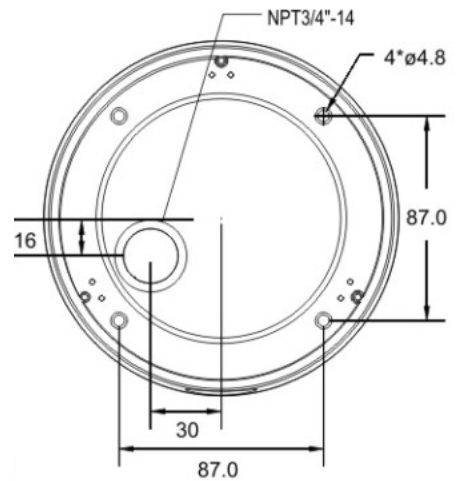
Bottom View



Dimensions - Vandal Resistant Minidome



Unit: mm



Specification

Camera Features

Image Sensor	1/2.7" Progressive CMOS												
Active Pixels	2 Megapixel												
Gain Control	Automatic or fixed manual setting across a 40dB range												
Dynamic Range	69dB												
WDR	WDR function												
Mirror Mode	On or Off												
Back Light Compensation	On or Off												
White Balance Mode	Auto; Manual; ATW												
Shutter Speeds	1 to 1/10000 sec												
Video Compression	Full frame rate, full color: H.264/MJPEG ; up to 30fps												
Video Bit Rate	User-configurable bit rates from 64Kbps up to 8Mbps												
Multi-streaming	<table border="1"> <thead> <tr> <th>Stream 1</th> <th>Stream 2</th> <th>Framerate</th> </tr> </thead> <tbody> <tr> <td>1080p</td> <td>D1</td> <td>@ 30fps</td> </tr> <tr> <td>1080p</td> <td>1080p</td> <td>@ 15fps</td> </tr> <tr> <td>720p</td> <td>720p</td> <td>@ 30fps</td> </tr> </tbody> </table>	Stream 1	Stream 2	Framerate	1080p	D1	@ 30fps	1080p	1080p	@ 15fps	720p	720p	@ 30fps
Stream 1	Stream 2	Framerate											
1080p	D1	@ 30fps											
1080p	1080p	@ 15fps											
720p	720p	@ 30fps											
Resolution	1080p: 1920 x 1080 pixels; 720p: 1280 x 720 pixels; D1: 720 x 480 pixels												
Network interface	IEEE802.3 and IETF standards: 10/100 Base-T Ethernet, TCP, UDP, ICMP, IGMP, SNMP, HTTP Up to 2 simultaneous unicast video users or unlimited multicast users												
Time	Embedded real-time clock, NTP client												
Regulatory	EN 55022(1998) ITE - Class A; EN 55024(1998) ITE immunity standard; CFR47(1995) Part 15 subpart B -Class A												
IndigoVision System Software Requirements	SMS4 r3 or later												

	Internal	External
Sensitivity (30IRE, F1.5)	Day only: 0.1 lux	
Lens Options	Standard: 4mm, Horizontal view angle 78°, F1.5; fixed iris	
ICR Filter / Day/Night	Day only	
Gimbal Adjustment	2 axis adjustment	
Electrical	Operating voltage: Power over Ethernet (802.3af Class 0); Power consumption: 3.5W	
Audio	Built in microphone	N/A
Housing	Polycarbonate/ABS Alloy with Polycarbonate dome	Polycarbonate/ABS Alloy with Polycarbonate dome
Dimensions/Weight	117mm (dia.) x 50mm (h)/180g	117mm (dia.) x 50mm (h)/180g
Ingress Protection	N/A	IP65
Operating Temperature	0 to 50°C/+32 to +122°F	-10 to 50°C/+14 to 122°F
Mounting Options	Ceiling Mountable including solid surfaces	Ceiling Mountable including solid surfaces

	Internal	Vandal Resistant
Sensitivity (30IRE, F1.2)	Day: 0.2 lux; Night: 0.02 lux	
Lens Options	Standard: 3mm - 9mm, Horizontal view angle 103.5° (W) 34.3° (T) , F1.2, Vari-focal, M14 mount Standard: 3mm - 9mm, Horizontal view angle 103.5° (W) 34.3° (T) , F1.2, Vari-focal, M14 mount with Remote Zoom/Focus	
ICR Filter / Day/Night	Mechanical IR Cut Filter	
Gimbal Adjustment	3 axis adjustment	
Iris Control	Auto-iris DC drive lens as standard	
Video Output	NTSC/PAL composite video, 75 Ohms 1V p-p	
Audio Input	Line in, Mic in	
Audio Output*	Line out	
Binary Input/Output*	1 input ; 1 solid state opto-isolated relay output	
Electrical	Operating voltage: Power over Ethernet (802.3af Class 0) or 12V DC / 24V AC; Power consumption: 5.5W	
Housing	Injection Moulded Polycarbonate/ABS Alloy with Polycarbonate dome	Diecast Aluminium Alloy with Polycarbonate dome
Dimensions/Weight	147mm (dia.) x 131mm (h)/0.7Kg	151mm (dia.) x 131mm (h)/0.7Kg
Ingress Protection	N/A	IP65
Operating Temperature	0 to 50°C/+32 to +122°F	-10 to 50°C/+14 to 122°F
Mounting Options	Wall and Ceiling Mountable including solid surfaces	Wall and ceiling Mountable including solid surfaces

* Not currently supported in IndigoVision SMS4



ID: MINI-FD 11.2
NOV 11