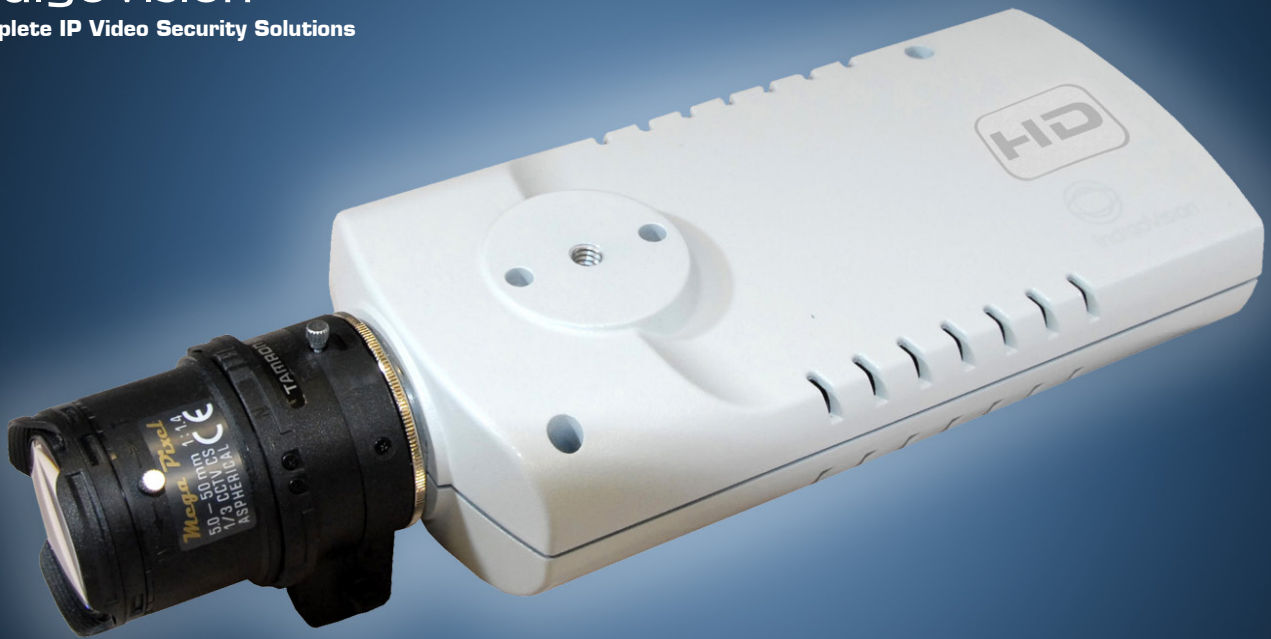




IndigoVision

Complete IP Video Security Solutions



## 11000 Fixed HD Camera Range



Professional High Definition (HD), full frame rate Day/Night IP cameras

IndigoVision's 11000 range of HD, full frame rate Day/Night IP Cameras are designed to be used with the company's complete end-to-end IP Video solution. Class-leading H.264 compression technology and IndigoVision's guarantee never to drop a frame provide excellent video quality at low bandwidths.

The cameras can be ceiling or wall mounted and use a 1/3" Progressive Scan HD Sensor, guaranteeing excellent performance.

- Full HD 720p Resolution
- Excellent image quality from 1/3" Progressive scan sensor
- Built-in real time motion detection
- Full frame rate guaranteed
- Power-over-Ethernet for lower installation costs
- Day/Night IP Camera with optional full duplex audio



IndigoVision's cameras enable simple and easy deployment of IP based video systems as they only require a single CAT 5 cable for connection to the network. The built-in Power-over-Ethernet support allows the camera to be powered directly from the network, reducing installation costs.

IndigoVision's IP Video solution allows advanced features such as Activity Controlled Framerate (ACF) and camera based real-time motion detection to be deployed in the camera itself. These features reduce the bandwidth and NVR storage requirements during periods of scene inactivity.

## Product Codes

11000 Fixed IP Camera (PAL Region)	Standard Lens		Standard Lens (Non IR)		Telephoto Lens		Telephoto Lens (Non IR)		Ultra Wide Lens	
	11000S	11000E	11000S	11000E	11000S	11000E	11000S	11000E	11000S	11000E
Day/Night, PoE	541277	561277	541237	561237	541239	561239	541231	561231	541271	561271
Day/Night with Audio, PoE	541275	561275	541235	561235	541279	561279	541233	561233	541273	561273

Default frame rate for PAL Region is 25fps and can be configured up to 30fps.

The 11000E product allows full frame rate video, at full 720p resolution. The 11000S product allows 1/3 frame rate video, at full 720p resolution.

11000 Fixed IP Camera (NTSC Region)	Standard Lens		Standard Lens (Non IR)		Telephoto Lens		Telephoto Lens (Non IR)		Ultra Wide Lens	
	11000S	11000E	11000S	11000E	11000S	11000E	11000S	11000E	11000S	11000E
Day/Night, PoE	541276	561276	541236	561236	541238	561238	541230	561230	541270	561270
Day/Night with Audio, PoE	541274	561274	541234	561234	541278	561278	541232	561232	541272	561272

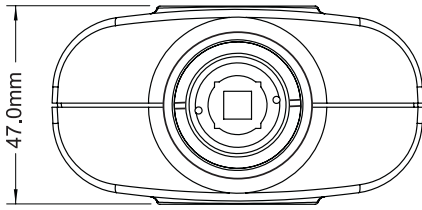
Default frame rate for NTSC Region is 30fps.

The 11000E product allows full frame rate video, at full 720p resolution. The 11000S product allows 1/3 frame rate video, at full 720p resolution.

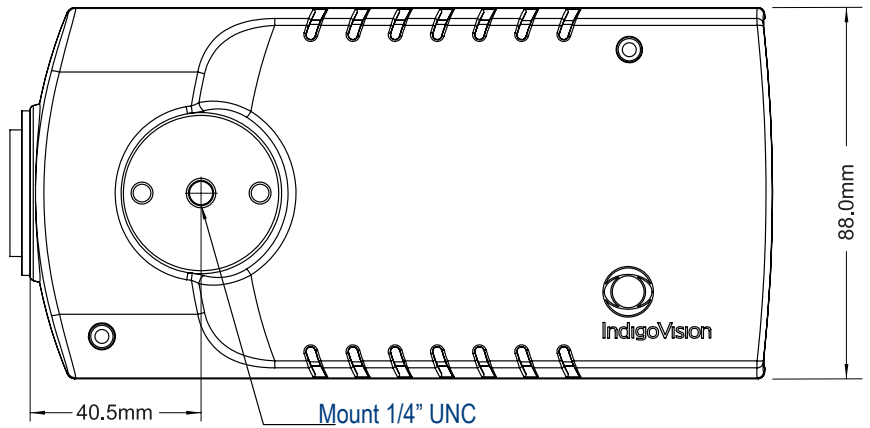
Lens Options	Focal Length	Horizontal View Angle	Max Aperture	Day/Night with IR Light Sources	Day/Night without IR Light Sources	Day Only
Standard Non IR Corrected	2.8-8mm	90.7° (W) 35.2° (T)	F1.2	X	✓	✓
Standard IR Corrected	3-8mm	100° (W) 35° (T)	F1.2	✓	X	X
Telephoto Non IR Corrected	5-50mm	51.7° (W) 5.3° (T)	F1.4	X	✓	✓
Telephoto IR Corrected	5-50mm	53.8° (W) 5.5° (T)	F1.6	✓	X	X
Ultra Wide IR Corrected	1.7mm	110°	F1.8	✓	✓	✓

When choosing a lens, lighting conditions should be considered as well as focal length. IR Corrected lenses should be used if night time scenes are illuminated by IR lights or halogen lights. If no IR lights are in use the non-IR Corrected lens will give superior video quality.

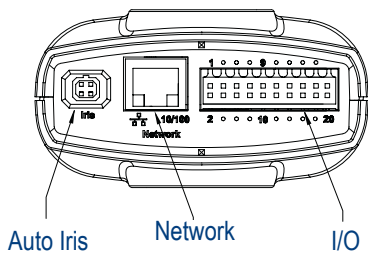
## Dimensions



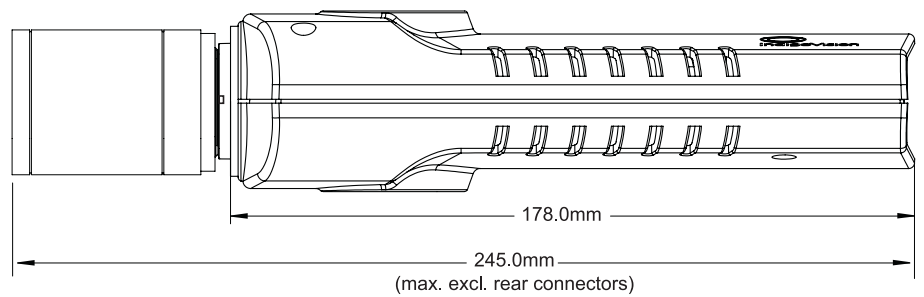
View on Front Face



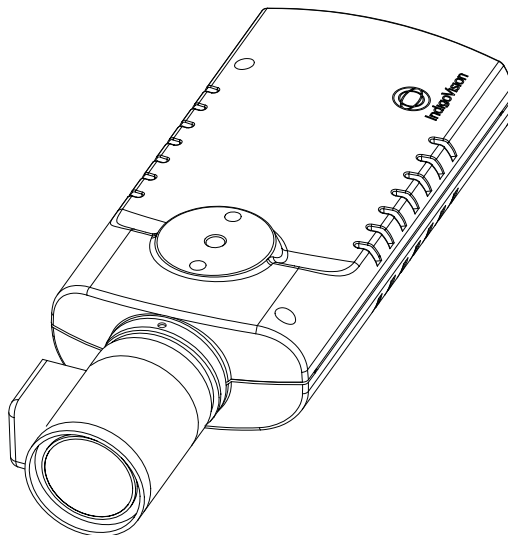
View on Top or Bottom Face



View on Back Face



View on Side



# Specification

Camera Features		
Video Resolution	720p HD (1280 x 720 pixels), Widescreen 16:9	
Frame Rate	30 fps guaranteed	
Day/Night	True day/night with mechanical IR Cut Filter	
Minimum Sensitivity	Day: 0.9 Lux (50 IRE, F1.2, 1/30s shutter) Night: 0.1 Lux (50 IRE, F1.2, 1/15s shutter)	
Wide Dynamic Range	60dB	
Sensor	1/3" HD CCD, 2.5 Megapixel	
Gamma	Programmable, 0.45 default	
Gain Control	Automatic or fixed manual setting: 0 - 30 dB in 16 steps	
Scan Mode	Progressive Scan	
Mirror Mode	On or Off	
Flip Mode	On or Off	
Signal/Noise level	Better than 45dB	
Shutter Mode	Global	
Synchronization	Internal	
Back Light Compensation	On or Off	
White Balance	Auto or Fixed (Indoor, Outdoor) or Manual	
Iris Control	Auto-iris DC drive lens as standard	
Shutter Speeds	1/1 to 1/10,000 in 22 steps	
Video Compression	Full frame rate H.264 (ISO 14496-10) 30 fps guaranteed	
Video Bitrate Cap	256Kbps to 8Mbps per stream. User configurable	
Multi-Streaming	Up to 32Mbps total video output Unlimited multicast connections Up to four 8Mbps unicast connections Up to sixteen 1Mbps unicast connections	
Binary Input/Output	2 inputs; 1 solid state relay output	
Network Interface	RJ-45. IEEE802.3 and IETF standards: 10/100 Base-T Ethernet, TCP, UDP, IGMP, SNMP, HTTP	
Network Security	Embedded Linux firewall. Salted passwords with MD5 encryption	
Time	Embedded real-time clock, NTP client	
Regulatory	EN 55022 (1998) ITE emission standard – Class A EN 55024 (1998) +A1:2000 +A2:2003 ITE immunity standard CFR47(1995) Part 15 subpart B -Class A (US federal code of regulations)	EN 60068-2-1 & 2 (1993) Low & High temp EN 60068-2-6 & 64 (2008) Sinusoid & Random vibration EN 60068-2-29 (1993) Bump EN 60068-2-30 (2005) Humidity
Electrical	Operating voltage: Power over Ethernet (802.3af Class 0); 24V AC/DC @ 0.45A; Power consumption: 11W; 24V DC Power Supply separately orderable	
Operating Temperature	0 to +40°C/+32 to +104°F	
Audio Input*	Mono line in terminal block connector. Nominal voltage: 1V p-p, Mic 30mVp-p. Mic type: dynamic	
Audio Output*	Mono line out terminal block connector. 1V p-p, Minimum load impedance: 32 Ohms	
Audio Compression*	Full Duplex MPEG-4 Advanced Audio Encoding; 16 kHz sample rate; 16bit resolution. Selectable 32, 48, 64 Kbps bit-rate, 100 - 7000 Hz Bandwidth	
Housing	Diecast Aluminium Alloy	
Dimensions / Weight	175mm (d) x 88mm (w) x 45mm (h) / 0.5Kg	

\*Audio available as an order option