

# imigix

## iconPILOT IP

### Video and Audio Transceiver

**iconPILOT IP** is a high performance video transceiver with built-in two-way video and audio, alarms, telemetry, ISDN and Ethernet connections in one unit. The product can operate on either ISDN or IP networks independently and includes Imigix's 'Dual Mode' technology for intelligent best-mode selection for critical or alarm events.

- ISDN or IP mode user selectable or automatic
- video, audio, telemetry, alarms, ISDN and IP built-in as standard
- up to 384 kbps bandwidth giving 25 frames per second two-way video
- compatible with iconcontrol software
- LAN and WAN compatible
- integrated telemetry control
- uses Variframe technology

*iconPILOT IP* combines the best of ISDN and IP video transmission, effectively guaranteeing Quality of Service through ISDN back-up, ensuring the highest possible video quality within controlled IP networks.

Full compatibility with existing CCTV installations is assured, with *iconPILOT IP* supporting telemetry for virtually all third party devices including domes, muxes, matrices etc, via IP or ISDN. *iconPILOT IP* is also fully compatible with *iconcontrol* graphical control software for enhanced remote site management and control. IP set-up is easy to implement from the built-in front panel with no need for a PC, or with *iconcontrol* software.

Standard networking hardware configurations are supported, with network-friendly facilities giving network administrators complete control over how much network bandwidth *iconPILOT IP* is allowed to use.

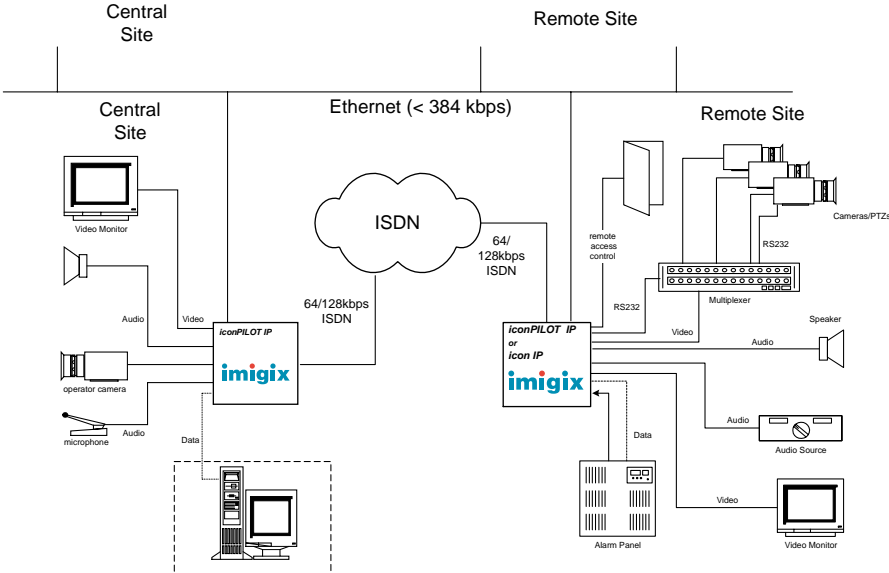
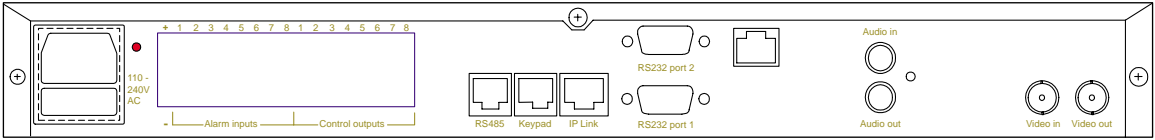
#### **Icon IP**

*iconPILOT IP* is also available in *icon IP* form, without a built-in front control panel, for remote-site installation and for use in conjunction with *iconcontrol* monitoring software. Both *iconPILOT IP* and *icon IP* also benefit from all the standard features of the original award-winning *imigix icon* range.

#### APPLICATIONS

- Remote monitoring/site control over corporate networks
- Central CCTV monitoring and visual verification
- Video management and visual access control
- Process control and machine vision
- Secure two-way video and audio exchange
- Remote expert consultation





Video		Communications	
standard	PAL: 625 lines, 50Hz NTSC: 525 lines, 60Hz	ISDN bandwidth	64, 128 kbps
input	composite 1.0V p-p, BNC	ISDN interface	BRI, RJ45 Euro ISDN-1
output	composite 1.0V p-p, BNC	connection time	less than 1 second
capture resolution	768 x 576 (PAL)	Ethernet	10/100 Base T
frame rate (update)		Ethernet interface	RJ45
ISDN 2B	up to 25 fps	maximum bandwidth	384 kbps
Ethernet up to 128 kbps	up to 25 fps	ISDN/IP mode select	manual or automatic
Ethernet to 384 kbps	25 fps	Dual Mode threshold	64 or 128 kbps
compression mode (ISDN and IP)	Variframe - conditional or full frame refresh	Alarm	
mode control	operator selection	inputs	8 programmable NO/NC
two-way video	included as standard	outputs (control)	8 programmable
continuous video pan	up to 90 deg. per sec.	Control (iconPILOT IP only)	
Audio		method	built-in control panel
transmission	in-band	input	5 tactile buttons
input	line level, RCA phono	display	2 line LCD
output	line level, RCA phono	navigation	menu
two-way audio	included as standard	Environment	
Data		operating temperature	0 - 45° Celsius
transmission	in-band	dimensions (mm)	380 x 254 x 1U
serial ports	2, RS 232, DB9S 1, RS 485, RJ12	construction	high quality powder coated 1.2mm steel
keyboard (optional)	1 offset RJ12	mounting	desk, wall or rack
telemetry control	in-band (standard)	Electrical	
configuration	remote or local	supply	100 - 240VAC 47 - 63Hz
		power	30W

**Imigix Limited, Icon House, Cardiff Gate Business Park, Cardiff CF23 8RD UK**  
**Telephone 029 2054 6300 Fax 029 2054 6301**  
**www.imigix.com**

