

Ikegami

GIVING NEW VALUE TO IMAGES

High Resolution True Day / Night Camera

ICD-509P [PAL]

ICD-509 [NTSC]



540/570TVL

0.37/0.037LUX

52dB



True Day/Night camera designed by High-End Broadcast Specialists to meet the High-End Demands of today's CCTV Professional.

Building on the success of its previous high quality cameras, Ikegami is proud to announce the 'ICD-509P/509'. This camera now comes with higher resolution, a massive 540TVL (Colour mode) and 570TVL (Monochrome mode), plus the added benefit of True Day/Night changeover function. This leads to higher sensitivity at low light levels when the camera will automatically switch to a Monochrome output for improved low light performance.

0.037Lux, True Day/Night Change-over Function

Well designed moving IR cut filter system, inter-connected with the Automatic Gain Control system makes the ICD-509P/509 the ideal Day/Night camera, capable of providing a high quality crisp picture reproduction with 570TVL horizontal resolution under ultra low light conditions down to an amazing 0.037lux minimum scene illumination performance.



Color mode *



Monochrome mode *

52dB, High Picture Quality and Low Smear and Noise

The improved DSP circuit permits more than 52dB* Signal-to-Noise ratio with good performance of -110dB vertical pixel overload protection.

(*Conditions: Standard Illumination, Luminance Signal, Detail off)

540/570TVL, High-Resolution Pictures

DSP-based detail correction function results in a far sharper image and better Signal-to-Noise ratio. The horizontal resolution is as high as 540TVL in the colour mode and as high as 570TVL in the monochrome mode.

Wide Auto White Balance

The unit is also provided with automatic tracking white balance control (ATW). Improved tracking colour range can be used under different lighting conditions such as Sodium light.

Focus EZ Function

Just press the button located at the back of the unit, and the auto iris lens aperture will be kept open, even in broad daylight. This ensures that an accurate focus can be set with the best depth of field.

Monitor Selection Switch

This switch is to get a proper image by selecting your display device (LCD or CRT).

* Not Actual Image.

High Resolution True Day/Night Camera

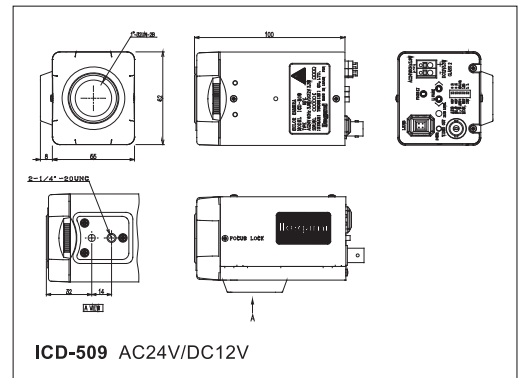
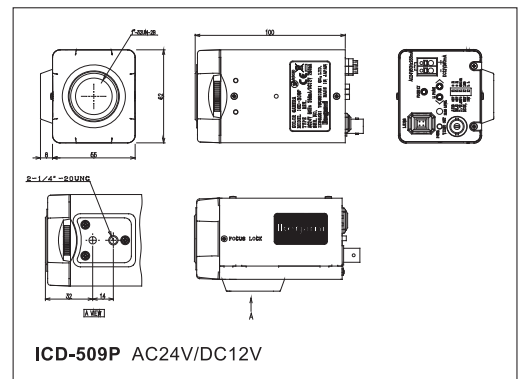
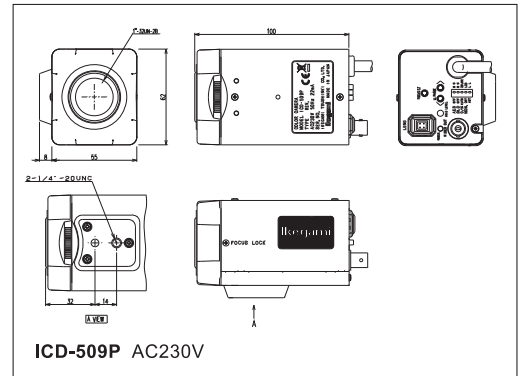
ICD-509P [PAL] ICD-509 [NTSC]



Specifications

Image Sensor	1/3" Interline Transfer CCD
Effective Pixels	PAL : Approx. 440,000 pixels, Effective 752 (H) x 582 (V) NTSC : Approx. 380,000 pixels, Effective 768 (H) x 494 (V)
Scanning System	PAL : 625 lines at 50Hz, 2:1 interlace NTSC : 525 lines at 59.94Hz, 2:1 interlace
Synchronization System	Internal Crystal Lock/Line Lock
Video Output	VBS 1.0Vp-p/75Ω
Horizontal Resolution	540 TV Lines (Colour Mode) 570 TV Lines (Monochrome Mode)
S/N Ratio	52dB or better (Standard Illumination, Luminance Signal, Detail off)
Minimum Illumination (AGC ON)	In colour mode : (Video Output 50 IRE) 0.5lx/F1.4 0.37lx/F1.2 In monochrome mode : (Video Output 50 IRE) 0.1lx/F1.4 0.075lx/F1.2 In monochrome mode : (Video Output 25 IRE) 0.05lx/F1.4 0.037lx/F1.2
Day/Night Function	Built-in
AGC (Automatic Gain Control)	Built-in
White Balance	Automatic Tracking White Balance
Detail Correction	Built-in
BLC (Back Light Compensation)	ON/OFF switchable
AES (Automatic Electronic Shutter)	ON/OFF switchable AES range: PAL: Approx. 1:2000, NTSC: Approx. 1:1600
Auto Iris function	DC iris
Focus EZ	Built-in
Flange Back Adjustment Mechanism	Built-in
Monitor Output Selection	CRT/LCD switchable
Lens Mount	CS Mount (C mount adapter can be used)
Power Requirement	PAL : AC230V±15%, AC24V±10%/DC12V (10.5V~28V) NTSC : AC24V±10%/DC12V (10.5V~28V)
Power Consumption	AC230V : 4.6W or less AC24V : 3.8W or less DC12V : 3.3W or less
Operating Ambient Temperature	-10°C~+50°C
Operating Ambient Humidity	30%~90%RH (non-condensing)
Camera Mount	1/4" -20UNC (Bottom or Top)
External Dimensions	W62 X H55 X D100mm (without projection)
Weight	AC230V : Approx. 680g AC24V/DC12V : Approx. 300g

Dimensions:mm



* This product is made of ECO friendly components based upon the Company policy and Corporate Social Responsibility to help Global Environmental solution for energy conservation and environmental sustainability, and all the components used in this product are Non-hazardous, Toxic Free, Non-Lead materials and parts conforming with Japan's Green Product Regulation, EU's RoHS Directive, and other environmental and hazardous chemical substances related regulations and laws.



Design and specifications are subject to change without notice.

*NTSC versions are no available with CE Mark.

Ikegami Tsushinki Co.,Ltd.

■ URL : <http://www.ikegami.co.jp/en/>

I153A086-HI

■ Head Office

5-6-16 Ikegami, Ohta-ku, Tokyo 146-8567, Japan TEL.+81-(0)3-5700-1111 / FAX.+81-(0)3-5700-1137

■ Overseas Sales Division

5-6-16 Ikegami, Ohta-ku, Tokyo 146-8567, Japan TEL.+81-(0)3-5700-4117 / FAX.+81-(0)3-5700-4120

Ikegami Electronics (Europe) GmbH

■ URL : <http://www.ikegami.de>

<http://www.ikegami.co.uk>

■ Headquarters

Ikegami Strasse 1, D-41460 Neuss, Germany TEL.+49-(0)2131-1230 / FAX.+49-(0)2131-102820

UK CUSTOMER SUPPORT HELP LINE TEL.+44-(0)560-043-3769



Accredited by the Dutch Council for Certification