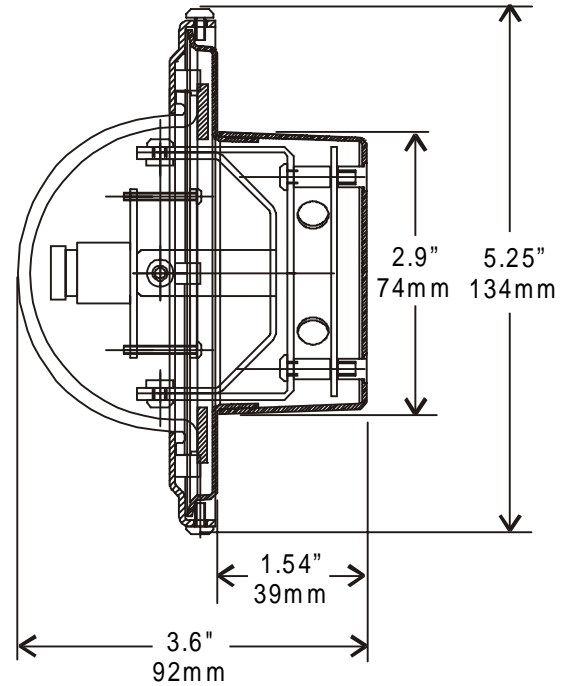


The world's toughest mini-dome camera now fits in a standard deep double-gang electrical box. An impact resistant polycarbonate dome and heavy-duty metal housing complete this tough, weather-tight camera system for flush installations to walls or ceilings.

Specifications subject to change without notice.

CAMERA SPECIFICATIONS

	B&W	B&W HI RES	B&W 24VAC LINE LOCK
Pick up device	1/3" CCD b/w	1/3" CCD b/w	1/3" CCD b/w
Resolution	410 TV lines	570 TV lines	410 TV lines
S/N Ratio	50dB	48dB	50 dB
Video Output	1Vp-p/75 Ohms	1Vp-p/75 Ohms	1Vp-p/75 Ohms
Light Sensitivity*	0.05 lux @ F1.4 0.10 lux @ F2.0	0.05 lux @ F1.4 0.10 lux @ F2.0	0.05 lux @ F1.4 0.10 lux @ F2.0
Electronic Iris	1/60-1/100,000 sec	1/60-1/100,000 sec	1/60-1/100,000 sec
Back Light Compensation	—	—	2 user selectable Areas of Interest
Input Voltage	11-16 VDC Regulated	11-16 VDC Regulated	17 - 27 VAC, or 12 - 24 VDC
Power Consumption	150mA @ 12VDC (1.8W)	150mA @ 12VDC (1.8W)	3.6 W
Surge Suppression	1.5kW transient	1.5kW transient	1.5kW transient
Operating Temp	-4°F to 140°F -20°C to 60°C	14°F to 122°F -10°C to 50°C	-4°F to 140°F -20°C to 60°C
Optional Power Supply	PSI 4.1	PSI 4.1	—



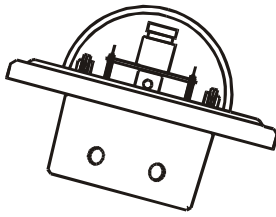
	COLOR	COLOR HI RES	COLOR 24VAC LINE LOCK	COLOR HI RES 24VAC L.LOCK
Pick up device	1/3" CCD color	1/3" CCD color	1/3" CCD color	1/3" CCD color
Resolution	350 TV lines	450 TV lines	350 TV lines	450 TV lines
S/N Ratio	46dB	46dB	46dB	46dB
Video output	1Vp-p/75 Ohms	1Vp-p/75 Ohms	1Vp-p/75 Ohms	1Vp-p/75 Ohms
Light Sensitivity*	0.9 lux @ F2.0	0.9 lux @ F2.0	0.9 lux @ F2.0	0.9 lux @ F2.0
Electronic iris	1/60-1/100,000 sec	1/60-1/100,000 sec	1/60-1/100,000 sec	1/60-1/100,000 sec
Back Light Compensation	—	—	digital adjustment; on/off switch	digital adjustment; on/off switch
Input Voltage	11-16 VDC Regulated	11-16 VDC Regulated	17 - 27 VAC, or 12 - 24 VDC	17 - 27 VAC, or 12 - 24 VDC
Power Consumption	250mA @ 12VDC (3.0W)	250mA @ 12VDC (3.0W)	4.5 W	4.5 W
Surge suppression	1.5kW transient	1.5kW transient	1.5kW transient	1.5kW transient
Operating temp	-4°F to 122°F -20°C to 50°C	-4°F to 122°F -20°C to 50°C	-4°F to 113°F -20°C to 45°C	-4°F to 113°F -20°C to 45°C
Optional power supply*	PSI 4.1	PSI 4.1	—	—



Silent Witness Enterprises Ltd.

920.0025 rev 1.03 ©Silent Witness 06/99

* Light sensitivity based on a clear dome. Half tint dome reduces light sensitivity by 54% and full tint dome reduces light sensitivity by 72%.



Specifications subject to change without notice.

ENCLOSURE

Dimensions WxHxD	5.25" x 5.25 "x 3.6" (134mm x 134mm x 92mm)
Weight	1.2 lbs (0.55 k g)
Housing Material	cold rolled steel
Metal Finish	urethane powder paint
Dome Material	polycarbonate (options: clear, tinted, and gold)
Mounting option	backing plate (imperial and metric versions available)

V25CM CORNER MOUNT ACCESSORY (OPTION)

V25CM-W	powder coated white
V25CM-S	stainless steel
V25CM-G	gold plated

OPTIONAL POWER SUPPLY

PSI 4.1	15 VDC, 400mA Regulated
---------	-------------------------

MODEL NUMBERS Please add appropriate Lens Code extension from Lens Options table below.

	B&W	B&W HIRES	B&W 24VAC LINE LOCK	
EIA	V25BB100	V25BB600	v25LB100	
CCIR	V25BB2100	V25BB2600	v25LB2100	
	COLOR	COLOR HI RES	COLOR 24VAC LINE LOCK	COLOR HI RES 24VAC L.LOCK
NTSC	V25BC700	V25BC500	V25LC700	V25LC500
PAL	V25BC2700	V25BC2500	V25LC2700	V25LC2500

LENS OPTIONS

Lens (mm)	2.9	3.6	6.0	8.0	12.0
F-stop	2.0	2.0	2.2	2.2	2.0
View angles: H	90°	74°	42°	32°	22°
V	67°	55°	32°	24°	17°
Lens code	029	036	060	080	120



Silent Witness Enterprises Ltd.

Please replace last 2 zeros in the model number with the 3-digit Lens Code.

Example V25 B1XXX

Sample Model Number from table above Lens Code

Year 2000 compliant

920.0025 rev 1.03 ©Silent Witness 06/99