

PTH24VAC

MEDIUM DUTY PAN/TILT MOTORS



The PTH24VAC is designed to provide medium duty outdoor horizontal and vertical positioning operation for camera applications. These pan/tilts use a precision steel gear set engineered to prevent back lash and wind drift.

These side-mount pan/tilts will accept Ultrak's environmental camera enclosures or similar enclosures with the total load not exceeding 60 lbs for the PTH24VAC. Constructed of die-cast aluminum with an 'O' ring seal and epoxy powder coating, these pan/tilt motors are corrosion resistant and IP65 weather proof.

- Side mount
- Stainless steel precision gears
- Autopan with delayed reversing built in
- Die-cast aluminum construction and epoxy powder coated
- Indoor/outdoor installations



PTH24VAC

TECHNICAL SPECIFICATIONS

MODELS

PTH24VAC	Medium-duty, side mount, outdoor, 9°/second pan and 4°/second tilt with 24V ac operation
----------	--

ELECTRICAL

Input Voltage	24V ac, 50/60Hz
Power Requirements	40W
Motors	Two phase induction type, continuous duty
Cable Requirements	6 conductors, unshielded (left, right, up, down, motor common, autopan) autopan feature

Maximum Cable Distance for Hardwire Control

AWG of Cable	6 Conductors	7 Conductors (2 motor control) (independent commons)
20	45 ft.	90 ft.
18	70 ft.	140 ft.
16	115 ft.	230 ft.

MECHANICAL

Pan	Rotation:	0°-350° movement in horizontal plane
	Speed:	9°/sec ± 0.5° (no load condition)
	Torque:	> 50 ft/lb with specified voltage
Tilt	Rotation:	0°-350° movement in vertical plane
	Speed:	4°/sec ± 0.5° (no load condition)
	Torque:	> 70 ft/lb with specified voltage
Maximum Load:		
PTH24VAC		60 lbs (27.2kg)

Gearing	Precision steel gear set to minimize backlash and wind drift
Dimensions	See drawings
Weight	14 lbs (6.4 kg)

GENERAL

Construction	Die-cast aluminum with 'O' ring seal. All internal parts are corrosion protected.
Finish	Almond color, epoxy powder coating
Environment	Indoor/outdoor
Operating Temp.	-10°F -140°F (-23°C - 60°C)

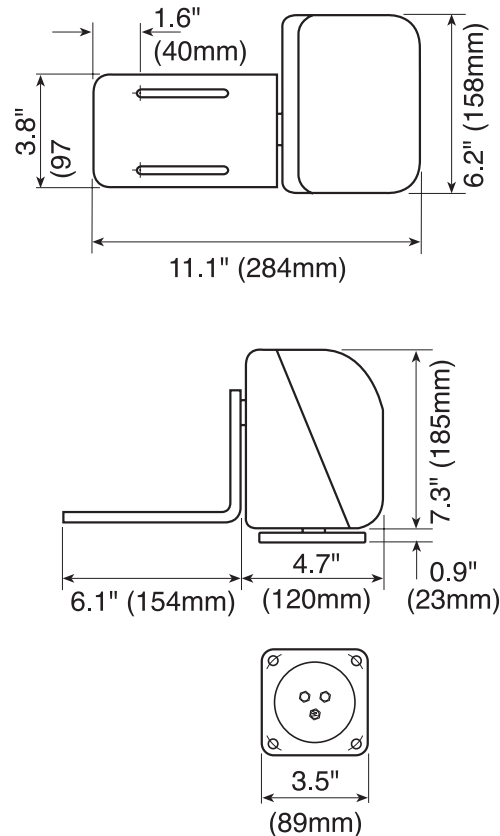
RECOMMENDED MOUNTS

PTB	Heavy-duty wall mount, 17.5" in length
PTD	Ceiling/pedestal mount, 12.6" in length
PTP	Top of pole mount, 3" to 5" diameter poles
PTC	Pole-mount adapter for PTB wall mount, 3" to 5" diameter poles
CWNX	Corner-mount adapter for PTB wall mount, AISI 304 stainless steel

RECOMMENDED CONTROLS

CBZ24V	Desktop, hard-wired control pad for 24V ac pan/tilt motor control and zoom lens control, including autopan function control.
DCMT8	Digital telemetry control pad for up to 16 pan/tilts and two SW8.2REM mini switchers.
DTMRX	Receiver driver, no presets. Uses twisted pair, shielded conductor for current loop. Works with DCMT8.

PTH



Design and specifications subject to change without notice.

Conversion: 1" = 25.4mm
Measurement conversions are approximate

Ultrak Worldwide Support Center:

1301 Waters Ridge Drive
Lewisville, TX 75057
(800) 796-2288 (972) 353-6500
Fax (972) 353-6670



www.ultrak.com