

HTCD50/HTCD52 Series

www.honeywellvideo.com

MOBILE DIGITAL CAMERAS

As the video surveillance industry increasingly moves from analog to digital solutions, Honeywell's HTCD50 and HTCD52 Series of digital cameras offer a total solution for mobile opportunities. The HTCD50 and HTCD52 Series of cameras provide images that are more advanced and superior in quality compared to the traditional analog cameras. The HTCD50 and HTCD52 Series of cameras offer easy identification of individuals involved in mobile incidents.

Market Opportunities

For organizations managing vehicles, such as school buses and sanitation trucks, the HTCD50 and HTCD52 Series cameras provide high-quality images regardless of motion frequency. Due to the impressive image quality of the HTCD50 and HTCD52 Series, the cameras can meet the needs of even the most demanding vehicle owners or operators. With this industry-leading total digital solution, Honeywell provides comprehensive, easy-to-use video data from inside and outside of vehicles that can be effortlessly downloaded for analysis and storage.

Features

- High-impact, tamper resistant housing
- All-digital camera — provides both video and audio in a digitized data format
- Optional microphone
- Easy to install — designed to be mounted on a bulkhead, wall or ceiling
- User selectable compression, resolution and frame rates
- Flexible mounting options with two windows (HTCD52 Series)
- Concealed wiring
- Comes fully assembled and pre-focused



HTCD50 Series



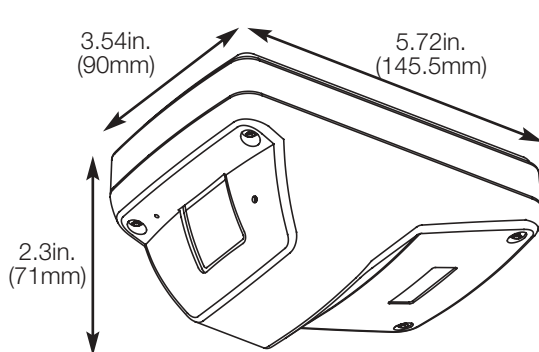
HTCD52 Series

HTCD50/HTCD52

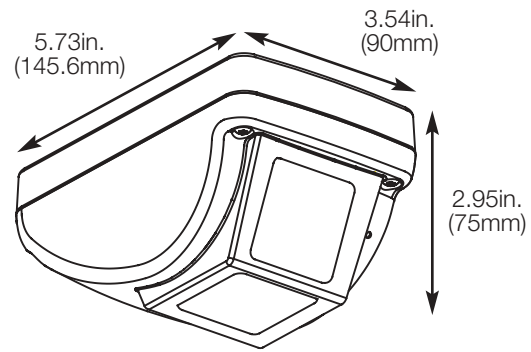
www.honeywellvideo.com

SPECIFICATIONS

Camera				
Imager Format:	1/3" Color or B/W Digital Sensor			
Resolution:	640 x 480 (VGA) or 320 x 240 (QVGA)			
Minimum Illumination:	< 3 lux @ F1.4			
S/N Ratio:	> 45 dB AGC off			
Auto Image Correction:	Brightness, Exposure, White Balance (color camera only)			
Electronic Shutter:	1/60 second to 1/15,734 second			
Signal Format:	JPEG			
Audio:	Bandwidth optimized to eliminate unwanted noise interference			
Storage Temperature:	-40° F to 149°F (-40°C to 65°C)			
Operating Temperature:	32°F to 113°F (0°C to 45°C)			
Enclosure				
Dimensions (WxHxD):	3.54 in. x 2.8 in. x 5.72 in. (90 mm x 71 mm x 145.4 mm)	3.54 in. x 2.95 in. x 5.73 in. (90 mm x 75 mm x 145.6 mm)		
Weight:	1.81 lbs (818 g)	1.84 lbs (836 g)		
Connector:	RJ45			
Current Consumption:	250 mA @ 12VDC			
Power Requirements:	8-16VDC			
Enclosure Base:	Die cast aluminum alloy			
Enclosure Cover:	Polycarbonate			
Field of View	3.6 mm	6.0mm	8.0mm	12.0mm
Horizontal:	74°	42°	32°	22°
Vertical:	55°	32°	24°	17°



HTCD50 Series



HTCD52 Series

Ordering

HTCD50 M C 080

Series Options HTCD50 HTCD52	Lens Options 036 3.6 mm 080 8.0 mm 060 6.0 mm 120 12.0 mm
Microphone Options M Microphone (audio) B No Microphone	Camera Options B B/W Sensor C Color Sensor

NOTE: Honeywell reserves the right, without notification, to make changes in product design or specifications.

Honeywell Security

Honeywell Video Systems
 2700 Blankenbaker Pkwy, Suite 150
 Louisville, KY 40299
 800.796.CCTV
 www.honeywell.com

HV05146
 L/HTCD52a/D
 October 2005
 ©2005 Honeywell International Inc.