



HRXD Series

High Speed Multi-Channel Digital Video Recorders

Honeywell introduces the new HRXD Series of multi-channel digital video recorders. The HRXD Series features a 9 and 16 channel embedded DVR that supports an image-per-second (ips) recording rate of 200 (PAL). And with Honeywell's exclusive XtraStor compression technology, you no longer have to sacrifice image quality, because less hard drive space is needed for long-term storage! With Honeywell's new multi-channel DVRs, we offer advanced CCTV technologies for businesses of all sizes.

Honeywell's HRXD Series supports a wide variety of surveillance applications by offering a full-featured and highly customisable digital video recording platform. Its PTZ capabilities can be controlled directly from the DVR's front panel or remotely using Remote Administration System Plus software (RASplus). The infrared remote control speeds installation, streamlines system configuration, and enhances user experience.

Market Opportunities:

With the growing demand for surveillance applications to operate multiple cameras at high recording rates, the HRXD Series is ideal for environments requiring large volumes of detailed data to be captured at high speeds. Fast moving objects such as tours of PTZ cameras, people in motion, or moving vehicles are a perfect fit for the HRXD Series. Ideal target markets include:

- Retail
- Law Enforcement
- Financial
- Education



CUSTOMER BENEFITS

- Captures more images per second per camera
- Stores more video on an equal amount of hard drive storage space
- Allows operators to find video evidence quickly
- Easily transfers video evidence onto a CD-ROM or USB FLASH drive for viewing on virtually any PC

HRXD Series Features:

- Long-term video storage using Honeywell's exclusive XtraStor technology
- Video archiving via Ultra Wide SCSI interface
- Remote access through PSTN, LAN/WAN (internal NIC), DSL and ISDN (RASplus software included)
- Records up to 200 ips PAL
- Continues recording while archiving, transmitting to remote site, and playback
- Three-year warranty

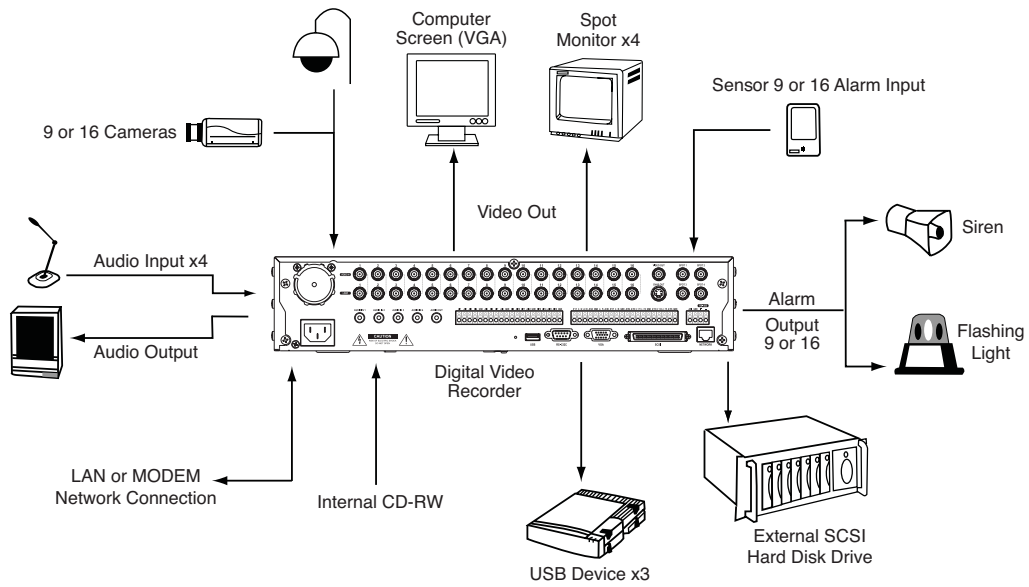
HRXD Series

Specifications

RAS Plus Software		Connections	
Sessions Maximum per HRXD recorder	14 simultaneous connections	Video Input	9 or 16 – Looping, BNC 1 Vp-p @ 75 Ohms, Auto Terminating
Administration	2 sessions	Video Output	1 – Composite, BNC 1 Vp-p @ 75 Ohms 1 – SVHS 1 – VGA alternative to using Composite or SVHS 4 – Spot, BNC 1.0 – Vp-p @ 75 Ohms
Users Viewing Live Video (and activating outputs)	10 sessions	Audio Input/Output	4 – Line level, RCA 1 – Line Out, RCA
Users Retrieving Video	2 sessions	Alarm/Control Inputs General Purpose	9 or 16 TTL programmable as NC or NO
Compatibility	Microsoft Windows XP or later; See RASplus User Guide for additional detail Doc. 900.0857	Alarm Reset Input	Front panel or 1 TTL terminal block
Recorder Unit		Control Outputs	9 or 16 TTL open collector, 5mA@12V, 30mA@5V
Video Standard	NTSC or PAL (Auto Detect)	Serial Ports	1 – RS232-C DB9 (P) 3 – USB (2.0), Mouse supported 1 – RS485 port
Video Format	720 x 576 (PAL)	Primary Storage	EIDE HDD (up to 2)
Colour Control	Brightness, contrast, hue and saturation	Secondary Storage	SCSI port to connect RAID storage device
Recording and Transmission Compression Algorithm	XtraStor compression technology	SCSI	Standard 68-pin, type 2 connector
Record Mode	(FIFO) Continuous buffer	Networking	10/100 base Ethernet (RJ-45), RS232C connection for external modem Regional power cord included
Recording Capacity	Up to 2 HD - 750 GB	IR Port	1 Remote Control
Recording Rate (Global)	200 ips (PAL)	Electrical	
Video Quality Settings	Standard: 336x272 (PAL) High: 672x272 (PAL)	Input Voltage	100 – 230 VAC, 2 A, 60 – 50 Hz
Video Motion Detection	Configurable zone detection area and sensitivity	Operating Voltage	115 V/230 V Auto sensing
Video Motion Search	Configurable zone of interest and sensitivity level. Includes clip list with preview image	Power Consumption	90 Watts
POS/ATM or Alarm Data	Up to 10 serial text streams (max) interface via RS232, RS485, USB	Mechanical	
Event Recording and Reporting	Input via – alarm i/p contacts, Motion and POS/ATM data. Reporting via internal buzzer, alarm o/p contacts, RAS and email notification	Dimensions (W x H x D)	430 mm x 88 mm x 430 mm
Mass Storage	Ultra-wide SCSI port; high density 68 pin female connector	Weight	Unit: 22.5 lb (10.2 kg) Shipping: 27.6 lb (12.5kg)
Removable Media	Built-in CDR/W and 3 – USB ports	Construction	Housing: Steel chassis Finish: Black matte paint
Still Image	Bitmap or JPEG file format	Environmental	
Front Panel Control	Intuitive operation supports Jog dial, Shuttle ring, mouse and IR remote	Temperature	Operating: 41°F to 104°F (5°C to 40°C) Storage: -4°F to +140°F (-20°C to +60°C)
SNTP Client	Synchronise timing to SNTP servers	Relative Humidity	0% - 90%, non-condensing
DHCP Enabled	DHCP or Manual IP entry & ADSL with PPPoE	Regulatory	
Port number set-up	Individual entries for Remote Admin, Remote Watch, Remote Search, Remote Callback	Emissions	Emissions FCC: Part 15 Subpart B, Class A CE: 89/336/EEC, 92/31/EEC; EN 55022:1994 + A1:1995 + A2:1997 EN61000-3-2:2000 EN61000-3-3:1995 + A1:2001
PTZ Protocols Support	Support for up to 50 PTZ protocols	Immunity	CE: EN50130-4:1995 + A1: 1998
Language Support	English, French, Spanish, Dutch, Italian, Portuguese and German	Safety U.S. and Canada International	UL 60950, Third Edition (2000) CAN/CSA-C22.2 No. 60950-00 Third Edition (2000) CE: 73/23/EEC EN 60950:2000 + Corr.Febr.2002
Internal Buzzer	Selectable upon alarm or event		

HRXD Series

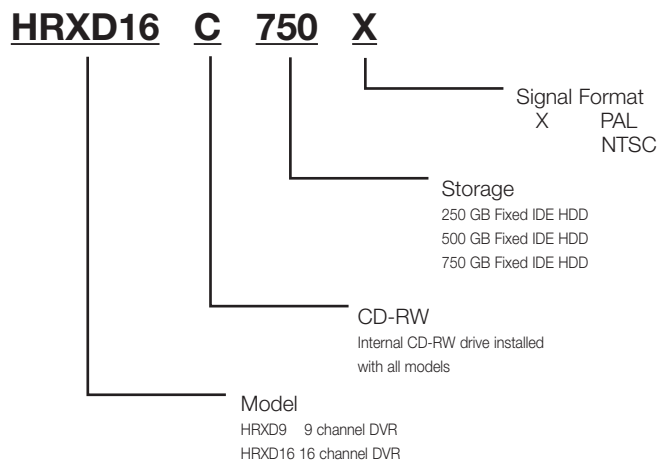
System Drawing



Accessories and Ordering

Accessories	
HMC14	14" Colour CRT Monitor
HMLCD19eX	19" e-Series Colour LCD Monitor (VGA)
Fixed Cameras, Domes, PTZ	See Honeywell's full line of indoor & outdoor cameras, housings, lenses, and infrared illuminators
HCSP1	Camera Surge Protector
HDSP1	PTZ Dome Surge Protector

Ordering

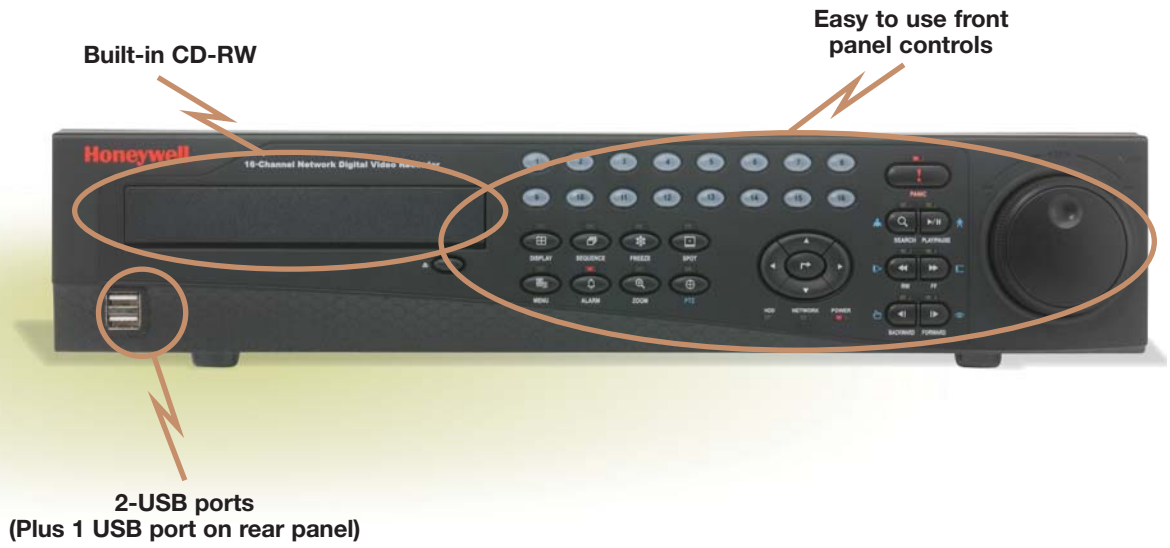


NOTE: Honeywell reserves the right, without notification, to make changes in product design or specifications.

HRXD Series

High Speed Multi-Channel Digital Video Recorders

Front View



Back View



Honeywell Security

Honeywell Video Systems
Aston Fields Road
Whitehouse Industrial Estate
Runcorn
Cheshire WA7 3DL
Tel: 08448 000 235
Fax: +44 (0) 1928 701063

www.honeywell.com/security/uk

Honeywell

HVS-HRXD-01-UK(0307)DS-COE
March 2007
© 2007 Honeywell International Inc.