

HD51

SUPER HIGH RESOLUTION VANDAL DOME CAMERA WITH VARI-FOCAL AUTO IRIS LENS

The Performance Series rounds out Honeywell's camera portfolio with a variety of indoor, outdoor and low light cameras that lets end users pick the perfect camera for virtually any installation. Ideal for a diverse range of applications, the Performance Series includes a wide range of high performing IR bullet cameras and mini-domes that are easy to install and even easier to use.

The HD51 is a rugged dome camera incorporating a 1/3" CCD that offers 550 TV lines of crisp, clear horizontal resolution. The camera comes equipped with a built-in 4-9 mm Vari-focal Auto Iris lens for increased optical versatility. The 3-D axis gimbal allows versatile positioning and instant centering of the video image.

The HD51 installs quickly and easily. It comes standard with a two-conductor pigtail that connects to the barrel connector so there is no need to cut wires during installation. It also features a video out port for easy focus. The HD51 is designed for use in challenging environments. It is IP66 rated for outdoor installations, but can also be installed indoors, mounted directly to a ceiling or wall.

Market Opportunities

The HD51 is a cost effective surveillance solution for applications that experience changing light conditions throughout the day. The HD51 offers a simple yet solid design that provides optimum performance for both indoor and outdoor applications including schools, colleges, universities, hospitals, commercial sites, industrial parks, airports, gated entrances, foyers, loading docks and driveways.

Features

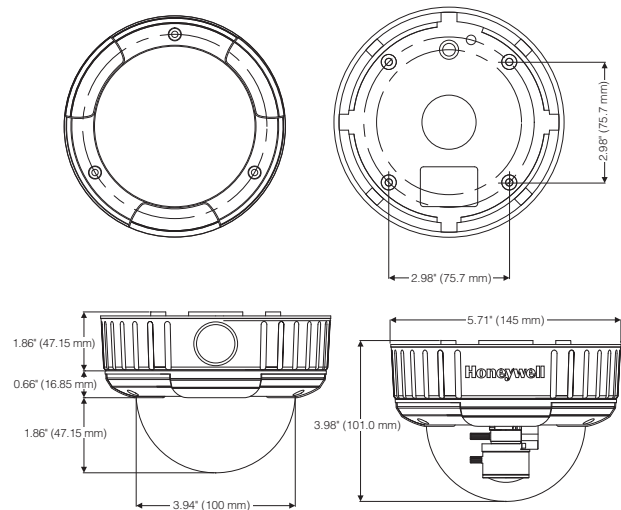
- Super high resolution color: 550 TVL - 1/3 Sony Super HAD CCD
- Built-in 4-9 Vari-focal Auto Iris lens
- User-friendly design for easy access and adjustment of camera settings
- Vandal-proof and weather resistant housing with IP66 rating
- 3-D axis gimbal
- AGC, BLC, flickerless (On/Off)
- Auto White Balance
- Video out port for setup
- Two-conductor pigtail is standard for connection to barrel connector
- 12 VDC Input



SPECIFICATIONS

Operational	
Video Standard	NTSC, PAL
Scanning System	2:1 Interlace
Image Sensor	1/3" Sony HAD CCD sensor
Number of Pixels (H x V)	811 x 508 (NTSC) 795 x 596 (PAL)
Minimum Illumination	0.3 lux
Horizontal Resolution	550 TVL
Video Output	1.0 Vp-p, composite @ 75 Ohms
Sync System	Internal
S/N Ratio	48 dB or more (AGC Off)
Auto Gain Control	On/Off
Automatic Electronic Shutter	1/60-1/100,000 second (NTSC) 1/50-1/100,000 second (PAL)
White Balance	Auto
BLC	On/Off
Gamma	0.45
Lens Type	4-9 mm VFAI
Angle of View	H: 62° - 28° V: 48° - 23°
Electrical	
Input Voltage	12 VDC
Input Range	10-14 VDC
Power Consumption	3 W (max)
Mechanical	
Dimensions	See Diagram
Weight	1.86 lb (0.84 kg)
Construction	Housing: Die Cast Aluminum Dome: Polycarbonate Finish: Light gray powder coating
Cable Entry	One 3/4" (19.1 mm) NPT threaded opening on side
Connector	Main Video: BNC connector Aux Video: 2-pin connector for video test cable (supplied) Power Input: 2.1 mm Plug

Environmental	
Temperature	Operating: -4°F to 122°F (-20°C to 50°C) Storage: -49°F to 167°F (-45°C to 75°C)
Relative Humidity	0% to 90% non-condensing
Rating	IP66
Regulatory	
Emissions	FCC, CE: (EN55022) Class A
Immunity	CE: EN 50130-4
Safety	EU: EN 60065
Accessories	
Power Supplies	
HPT12DC500	12 VAC/500 mA Plug-in Regulated 2.1 mm Coaxial Plug UL Listed/CSA Certified



Ordering	
HD51	1/3" CCD Super High Resolution Vandal Resistant Dome Camera, 550 TVL, 4-9 mm VFAI Lens, 12 VDC NTSC
HD51X	1/3" CCD Super High Resolution Vandal Resistant Dome Camera, 550 TVL, 4-9 mm VFAI Lens, 12 VDC PAL

Honeywell Security & Data Collection

Honeywell
2700 Blankenbaker Pkwy, Suite 150
Louisville, KY 40299
1.800.796.CCTV (2288)
www.honeywell.com

L/HD51D/D
January 2009
© 2009 Honeywell International Inc.

Honeywell