

HD4DIR

TRUE DAY/NIGHT VANDAL DOME CAMERA WITH INFRARED ILLUMINATORS

Honeywell's line of integrated infrared illuminated cameras combines the latest True Day/Night surveillance imaging technology with IR LEDs, delivering brilliant color during day and improves low light images at night. The result of this technology mix is extremely clear, sharp images regardless of lighting conditions.

The HD4DIR incorporates Digital Noise Reduction (DNR) technology with 18 integrated LEDs improving overall image clarity and compression efficiencies on digital video recorders. By removing noise artifacts such as electronic static, DNR technology increase the performance of motion detection by the DVR. When used in conjunction with the HD4DIR's internal photo cell-driven IR LEDs, DNR captures a crisp clean image, enhancing the integrity of the recorded video.

Generating 540 TV lines of resolution, the HD4DIR produces sharper images down to the smallest detail with outstanding accuracy. A 3.3-12 mm IR corrected Vari-focal Auto Iris lens ensures that focus shift does not occur when the camera switches between color and IR modes. In addition, an optical lens shield located inside the dome delivers evenly distributed nighttime vision with no internal reflection or "halo" effects.

Along with robust camera technology, the HD4DIR is designed for simple installation and for use in challenging environments. The solid die-cast aluminum and a scratch-resistant 3.5 mm thick polycarbonate dome cover can withstand heavy external impacts and is IP66 rated for outdoor installations. It is designed to install directly to a ceiling or wall and can mount to single or double gang electrical box using the supplied adapter plate. Setup is quick and easy and can be customized on-site using the provided second video service cable and user-friendly on-screen display.

Market Opportunities

The HD4DIR is a true 24/7 surveillance solution designed for object recognition in locations where little to no light exists. The compact, one-piece design allows for fast, easy installation in nighttime surveillance. It is ideal in commercial, government, school, professional, hotel or gated communities and any other quality-sensitive, high-risk environments such as prisons, airports, and train stations.

Features

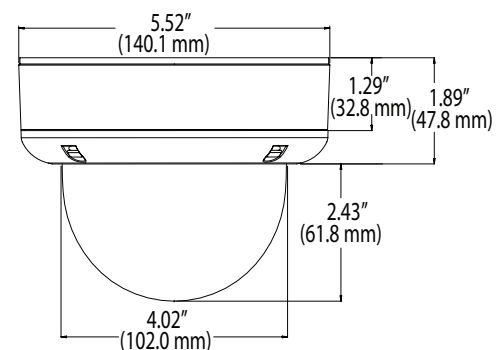
- High Resolution color: 540 TVL - 1/3" Sony Super HAD CCD
- Photocell controlled 18 near infrared light emitting diodes (LEDs) provide medium to short range illumination over a wide area
- Total effectiveness in zero lux environments
- Vandal resistant aluminum alloy housing with polycarbonate dome
- Digital Noise Reduction technology for noise free images
- On Screen Display menu for easy setup of camera
- Privacy Image Masking - 4 Programmable zones
- 3.3-12 mm (F1.5) IR Corrected Vari-focal Auto Iris lens
- 3-D axis gimbal bracket
- Local video output for setup
- Dual 12 VDC/24 VAC voltage



SPECIFICATIONS

Operational	
Video Standard	NTSC, PAL (model dependent)
Scanning System	525/60 lines (NTSC) 625/50 lines (PAL)
Image Sensor	1/3" Sony Interline CCD sensor
Number of Pixels (H x V)	768 x 494 (NTSC) 752 x 582 (PAL)
Minimum Illumination	0.0 lux, operates in complete darkness
Horizontal Resolution	540 TVL
Video Output	1.0 Vp-p, composite @ 75 Ohms
Sync System	12 VDC: Internal 24 VAC: Internal or Line lock
S/N Ratio	50 dB or more (AGC Off)
Auto Gain Control	On/off, selectable
Automatic Electronic Shutter	1/60–1/120,000 second (NTSC) 1/50–1/100,000 second (PAL)
White Balance	ATW/AWC/Manual
Line Lock Phase Adjustment	+/- 180 ° adjustable Line lock vertical phase
IR LEDs	850 nm, 18 LEDs
IR Illumination Distance	Vision performance to 60 ft (depending on scene reflectance)
BLC	Low/Middle/High/Off
Gamma	0.45
DNR	High/Medium/Low
DSS	Off/Auto (selectable limit 2X~128X)
Privacy Function	On/Off (4 Programmable Zone)
Lens Type	3.3-12 mm Vari-focal Auto Iris, IR Corrected F1.5, DC Drive
Angle of View	Tele: 29.8° (D), 24.0° (H), 18.0° (V) Wide: 104.2° (D), 80.2° (H), 58.6° (V)
Electrical	
Input Voltage	12 VDC/24 VAC
Input Range	11-16 VDC, 17-28 VAC
Surge Suppression	1.5 kW transient
Power Consumption (with IR's illuminated)	12 VDC: 6 W /24 VAC: 7 W (max)

Mechanical			
Dimensions	See Diagram		
Weight	2.5 lb (1.1 kg)		
Construction	Housing: Die cast aluminum Dome: Polycarbonate Finish: Light gray powder coating		
Cable Entry	One 3/4" (19.1 mm) NPT threaded opening on side and one on base		
Connector	Main Video: BNC connector Aux Video: 2-pin connector for video test cable Power Input: Tinned leads		
Environmental			
Temperature	Operating: -13°F to 131°F (-25°C to 55°C) Storage: -49°F to 167°F (-45°C to 75°C)		
Relative Humidity	Up to 95% non condensing		
Rating	IP66		
Regulatory			
Emissions	FCC Part 15, Class B CE: EN 55013		
Immunity	CE: EN50130-4		
Safety	EU:73/23/EEC LVD		
Accessories			
Power Supplies			
UL Listed	Fused	Smart Fused	Description
HPTV2404UL	HPTV2404	HPTV2404CB	4 A, 4 Output
HPTV2408UL	HPTV2408	HPTV2408CB	4 A, 8 Output
HPTV2416UL	HPTV2416	HPTV2416CB	8 A, 16 Output
Housing Mount			
HD4-WK	Wall Mount Kit		



Ordering	
HD4DIR	1/3" CCD Integrated True Day/Night High Resolution Color Vandal Resistant Dome Camera with DNR, 540 TVL, 18 LEDs, 3.3-12 mm VFAI, 12 VDC/24 VAC NTSC
HD4DIRX	1/3" CCD Integrated True Day/Night High Resolution Color Vandal Resistant Dome Camera with DNR, 540 TVL, 18 LEDs, 3.3-12 mm VFAI, 12 VDC/24 VAC PAL

NOTE: Honeywell reserves the right, without notification, to make changes in product design or specifications.

Honeywell Security

Honeywell Video Systems
2700 Blankenbaker Pkwy, Suite 150
Louisville, KY 40299
1.800.796.CCTV
www.honeywell.com

L/HD4DIR/D
February 2008
© 2008 Honeywell International Inc.