

HD3VC4SHRX / HD3VC4SAX

SUPER HIGH AND STANDARD RESOLUTION COLOUR INDOOR MINI-DOME CAMERAS

Honeywell's HD3VC4SHRX and HD3VC4SAX colour indoor mini-dome cameras encompass the latest in colour Digital Signal Processing (DSP) technology. Both the high resolution HD3VC4SHRX and the standard resolution HD3VC4SAX integrate a camera and lens package into a compact one-piece design for fast and easy installation. A service/monitor cable is also included for easy on-site adjustments and the housing is designed to mount directly to a ceiling, wall or to a 2S, single gang electrical box.

The HD3VC4SHRX offers 540 TV lines of crisp, clear horizontal resolution with a minimum illumination of 0.6 lux. The HD3VC4SAX features 350 TV lines of resolution with a minimum illumination of 0.2 lux. Both cameras incorporate a 1/3" CCD and come equipped with a 2.8 – 10 mm (F1.3) Vari-focal Auto Iris lens to cover a wide range of viewing angles. Picture adjustment after installation is easy thanks to the 3-dimensional gimbal that is capable of 360° of pan, 160° of tilt and 360° of horizontal adjustment.

All models accept either 12 VDC or 24 VAC (auto sensing) for proper operation and flexible installation. The Automatic Backlight Compensation (BLC) and Auto Tracking White Balance (ATW) ensure crisp colour images in dark or backlit environments, such as windows and doorways. The Automatic Gain Control (AGC) feature increases the signal strength from the camera when scene lighting is low, keeping the picture sharp and viewable.

Market Opportunities

The compact, one-piece design installs quickly and easily in commercial and government sites, school, casinos, retail stores or hospitals. Enhanced picture quality, attractive cosmetic appearance, true colour reproduction and excellent low light performance makes the Honeywell HD3VC4SHRX and HD3VC4SAX dome cameras the ideal solution for a wide range of surveillance applications.

Features

- 1/3" Sony Interline CCD
- Polycarbonate housing and dome
- Clear dome with liner for discreetness with no light loss
- Super High Resolution colour: 540 TV lines
- Standard Resolution colour: 350 TV lines
- 2.8 – 10 mm (F1.3) Vari-focal Auto Iris lens
- Local video output for setup
- 3-D Axis gimbal
- Line lock with phase adjustment (24 VAC)
- Dual 12 VDC/24 VAC voltage

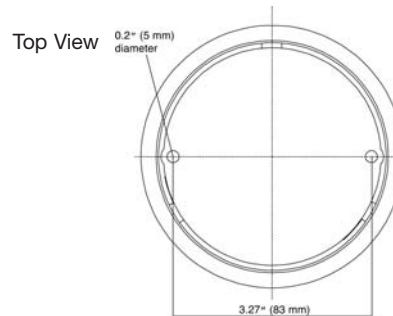
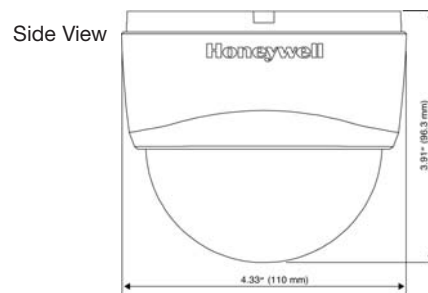


HD3VC4SHRX / HD3VC4SAX

SPECIFICATIONS

Operational	High Resolution	Standard Resolution
Video Standard	PAL	
Scanning System	625/50 lines (PAL)	
Image Sensor	1/3" Sony CCD colour image sensor	
Number of Pixels (H x V)	752 x 582 (PAL)	500 x 582 (PAL)
Minimum Illumination	0.6 lux @ F1.3 (AGC on, 50 IRE)	0.2 lux @ F1.3 (AGC on, 50 IRE)
Horizontal Resolution	540 TVL	350 TVL
Video Output	1 Vp-p, composite @ 75 Ohms	
Sync System	12 VDC: Internal 24 VAC: Line lock	
S/N Ratio	50 dB (AGC Off)	
Auto Gain Control	On/off, selectable	
ALC	Auto Iris: DC drive	
Automatic Electronic Shutter	1/50 – 1/100,000 second (PAL)	
White Balance	ATW	
Line Lock Phase Adjustment	Adjustable AC line lock, $\pm 310^\circ$	
BLC	On/off, switchable	
Lens Type	2.8 to 10 mm, Vari-focal Auto Iris, F1.3	
Angle of View	Tele: 34.3° (D), 27.4° (H), 20.5° (V) Wide: 129° (D), 100.2° (H), 73.3° (V)	
Electrical		
Input Voltage	12 VDC/24 VAC	
Input Range	11-16 VDC, 17-28 VAC	
Surge Suppression	1.5 kW Transient	
Power Consumption	3.5 W (max)	
Mechanical		
Dimensions	See line drawing	
Weight	.66 lb (.3 kg) max	
Construction	Housing: Polycarbonate Dome: Polycarbonate Finish: Matte texture, Off white	
Connectors	Video Output: BNC connector Power Input: (Screw terminal block)	

Environmental	
Temperature	Operating: 14°F to +122°F (-10°C to +50°C) Storage: -4°F to +140°F (-20°C to +60°C)
Relative Humidity	0% to 90% RH non-condensing
Regulatory	
Emissions	FCC, CE (EN55022)
Immunity	CE (EN50130-4)
Safety	EU: 73/23/EEC LVD



Ordering

HD3VC4SHRX	1/3" CCD Super High Resolution Colour Dome Camera, 540 TVL, 2.8 - 10 mm VFAL, PAL
HD3VC4SAX	1/3" CCD Standard Resolution Colour Dome Camera, 350 TVL, 2.8 - 10 mm VFAL, PAL

NOTE: Honeywell reserves the right, without notification, to make changes in product design or specifications.

Honeywell Security

Honeywell Video Systems
Aston Fields Road
Whitehouse Industrial Estate
Runcorn
Cheshire WA7 3DL
Tel: 08448 000 235
Fax: +44 (0) 1928 701063
www.honeywell.com/security/uk

HVS-HD3-02-EN(0907)DS-COE
September 2007
© 2007 Honeywell International Inc.