

HCD81 SERIES

HIGH AND STANDARD RESOLUTION, TRUE DAY/NIGHT COLOUR BULLET CAMERA WITH 18 IR LEDs

This discreet, bullet-style camera comes standard with IR illumination, making it perfect for 24/7 True Day/Night surveillance. Choose from two models — High Resolution and Standard Resolution — each with 18 IR LEDs.

Catch all the action 24 hours a day — even in complete darkness — with the True Day/Night camera and built-in infrared LEDs with sensors. When the ambient light drops below a certain point, a mechanical IR cut filter within the camera switches and the camera changes from colour to black and white, ensuring perfect colour pictures are captured by day and clear black and white images at night. And there's no focus shift when the camera switches.

The sleek, futuristic bullet styling is visually appealing, yet impact resistant. The attractive, polished machined aluminium enclosure comes with a protective sunhood.

The HCD81 Series is more secure than a box camera. It is difficult to knock out of position with its ball and socket design. Swivel the camera into place, then lock it down with the tamper resistant screws. The discreet, track mount installation uses locking security screws and concealed wiring so the wires cannot be cut or the camera disconnected or tampered with.

For easy installation indoors or out, the HCD81 Series mounts in minutes to a wall or ceiling. A metal mounting plate provides ease of installation onto electrical boxes.

Market Opportunities

The Honeywell HCD81 Series is designed for cost effective, high resolution 24/7 surveillance applications that have changing light conditions through the day and require extra illumination at night. This includes general indoor and outdoor surveillance applications in banking, offices, hotels, bars, restaurants, car parks, playgrounds, commercial buildings, warehouses, industrial and manufacturing sites, schools, universities, day care centers, and retail.

Features:

- Discreet, bullet-style camera with switchable IR cut filter and 18 IR LEDs
- Impact and tamper resistant
- 4.0 – 9.0 mm Vari-focal Auto Iris lens built-in
- Available in 480 and 350 TV lines of resolution versions
- Flexible mounting options
- Wall or ceiling mounts
- Polished aluminium enclosure with protective sunhood
- Standard line lock in 24 VAC operation
- One power connection self-configures to 12 VDC or 24 VAC with transient surge protection

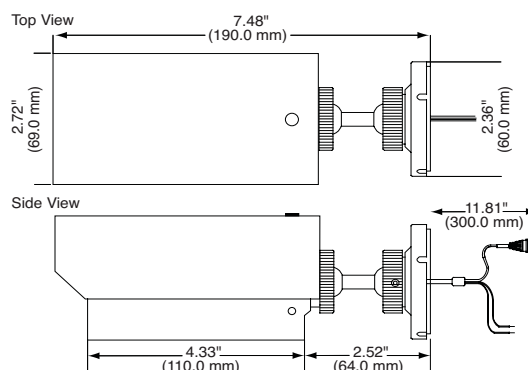


HCD81 SERIES

SPECIFICATIONS

Operational	
Video Standard	PAL
Scanning System	625/50 lines
Image Sensor	1/3" CCD
Number of Pixels (H x V)	HCD81354X: 500 x 582 HCD81484X: 752 x 582
Minimum Illumination	0 lux, operates in complete darkness
Horizontal Resolution	350 TVL, 480 TVL
Video Output	1.0 Vp-p @ 75 Ohms
Sync System	12 VDC: Internal 24 VAC: (Line lock)
S/N Ratio	46 dB or more (AGC off)
Auto Gain Control	Off/On, selectable
ALC	Direct drive Auto Iris lenses
Automatic Electronic Shutter	1/50 – 1/100,000 sec (PAL)
Lens Type	4.0 – 9.0 mm Vari-focal Auto Iris, F1.5
White Balance	AWB/ATW
Line Lock Phase Adjustment	Adjustable line lock vertical phase
BLC	On/off
Gamma	0.45
IR LEDs	850 nm, 18 LEDs
IR Sensitivity	800 – 1000 nm (with illuminators on)
IR Illumination Distance	13 m
Electrical	
Input Voltage	12 VDC/24 VAC
Input Range	11 – 16 VDC 17 – 32 VAC
Surge Suppression	1.5 kW transient
Power Consumption	5.0 W (max) @ 12 VDC with IR LEDs on 8.0 W (max) @ 24 VAC with IR LEDs on

Mechanical	
Dimensions	See diagram
Weight	0.57 kg
Construction	Housing: Polished aluminium with sunhood Finish: Polished aluminium
Connector	Video Output: BNC Connector Power Input: Tinned leads
Environmental	
Temperature	Operating: -25°C to 50°C Storage: -25°C to 50°C
Relative Humidity	0% to 85%, non-condensing
Rating	NEMA 4X
Regulatory	
Emissions	CE (EN55013)
Immunity	CE (EN50130-4)
Safety	UL2044, EU: 73/23/EEC LVD
Accessories:	
Power Supplies	
HPTV2401D	240V/24VAC 1A Output for internal use
HPTV2408-1D	230V/24VAC 8 individually fused 1A outputs for internal use



Ordering	
HCD81354X	1/3" CCD Standard Resolution, Colour Camera, 350 TVL, PAL
HCD81484X	1/3" CCD High Resolution, Colour Camera, 350 TVL, PAL

NOTE: Honeywell reserves the right, without notification, to make changes in product design or specifications.

Honeywell Security

Honeywell Video Systems
Aston Fields Road
Whitehouse Industrial Estate
Runcorn
Cheshire
WA7 3DL
Tel: 08448 000 235
Fax: 01928 701 063
www.honeywell.com/security/uk

HVS-HCD81-01-EN(0807)DS-COE
August 2007
© 2007 Honeywell International Inc.

Honeywell