

HCD545X

TRUE DAY/NIGHT HIGH RESOLUTION COLOUR CAMERA

The Honeywell HCD545X colour camera is ideally suited for use in 24/7 surveillance applications. The HCD545X adapts to varying lighting conditions to ensure the highest quality picture even in very low light. When the light level drops too low for accurate video identification in colour, the camera automatically moves the IR cut filter out of the optical path and then switches to black and white video to capture more detail using the increased sensitivity of the CCD to IR light. The camera uses internal logic or an external LAMP connector to control the switchover from colour to black and white. This improves the reliability of the operation of the camera in difficult installations or lighting conditions.

An on-screen text menu simplifies all set-up and adjustment options. Menu navigation is simple and picture adjustments can be made in a matter of seconds with easy-to-use pushbuttons on the back of the camera. The HCD545X includes an automatic electronic shutter for changes in light level, and automatic backlight compensation option for viewing backlit scenes. The HCD545X produces 540 TV lines of resolution for applications requiring the highest level of sharpness in video quality as well as providing reliable video quality even in low light conditions down to 0.1 lux, or 0 lux with auxiliary infrared lighting.

Market Opportunities

The HCD545X is designed for high resolution 24/7 surveillance applications, including those using infrared illumination. This includes general indoor surveillance applications in retail, financial, and other commercial markets. Combined with the AVH environmental housing, the HCD545X can be used as a solution for outdoor applications such as car parks, building entranceways, and driveways.

Features

- 1/3" colour CCD with DSP
- 540 TV lines of resolution
- True Day/Night low light performance down to 0.1 lux (F1.2)
- Moving IR cut filter switched using internal logic or external control
- Automatic Electronic Shutter (AES)
- Automatic Backlight Compensation (BLC)
- DC and manual iris lens support
- Improved low light sensitivity using external IR illumination

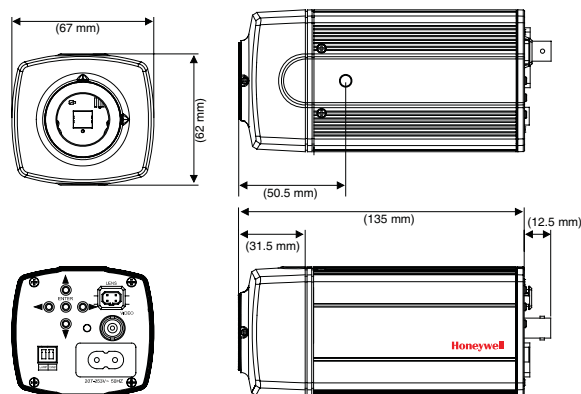


HCD545X

SPECIFICATIONS

Operational	HCD545X
Video Standard	PAL
Image Sensor	1/3" CCD
Scanning System	625/50 lines, 2:1 interlace
Number of Pixels (H x V)	752 x 582
Minimum Illumination	0.5 lux colour/0.25 lux B/W @ 50 IRE, f1.2 0.3 lux colour/0.1 lux B/W @ 30 IRE, f1.2
Horizontal Resolution	Greater than 540 TVL
Video Output	1 Vp-p @ 75 Ohms
Sync System	230 VAC: Line lock
S/N Ratio	50 dB or more (AGC off)
Auto Gain Control	Off/On, selectable
Automatic Electronic Shutter	1/50 – 1/100,000 sec
White Balance	ATW/AWC Push Lock/AWC Auto/Manual/User
BLC	Off/On
Gamma	0.45
Electrical	
Input Voltage	230 VAC
Input Range	207 - 253 VAC
Surge Suppression	1.5 kW transient
Power Consumption	4.5 W (max)
Mechanical	
Dimensions	See Dimensions
Weight	0.5 kg camera only
Construction (housing)	Extruded aluminium Finish: cool grey powder coated
Connectors	Main Video Output: BNC Lens: 4-pin connector Power input: 2-pin appliance coupler LAMP: 2-pin terminal block

Environmental	
Temperature	Operating: -10°C to 50°C
Storage	-20°C to 60°C
Relative Humidity	0% to 85%, non-condensing
Regulatory	
Emissions	FCC, CE (EN55022)
Immunity	CE (EN50130-4)
Safety	LVD 2006/95/EC
Accessories	
Recommended Lens Options	
HLD28V8F95L	2.8-8 mm, F0.95, DC Auto Iris lens
HLD27V13DNL	2.7-13.5 mm, F1.3, DC Auto Iris lens, IR corrected
HLD5V50F13L	5.0-50 mm, F1.3, DC Auto Iris lens
Housing and Mounts	
HBC5WT	Wall/ceiling mount bracket



Ordering	
HCD545X	1/3" CCD High Resolution True Day/Night Camera with DSP, 540 TVL, 0.3 lux, 230 VAC, PAL

NOTE: Honeywell reserves the right, without notification, to make changes in product design or specifications.

Honeywell Security & Data Collection

Honeywell Systems Group
Aston Fields Road
Whitehouse Industrial Estate
Runcorn
Cheshire
WA7 3DL
Tel: 08448 000 235
Fax: 01928 701 063
www.honeywell.com/security/uk

HVS-HCD545X-01-UK(0409)DS-GCSC
April 2009
© 2009 Honeywell International Inc.

Honeywell