

## HCCWD484

### WIDE DYNAMIC CAMERA

Honeywell's HCCWD484 is the ideal camera for environments with high contrast and changing light conditions. Using Next Generation Image Capture Technology, images are converted from analog to a digital format within each pixel immediately after the image is captured. Even in high-contrast lighting conditions, the HCCWD484 delivers higher-quality images; significantly better dynamic range (120dB max) and higher frame rates than conventional CCD cameras.

Another area where the HCCWD484 separates itself from the competition is proper exposure of each pixel. While conventional cameras record every pixel in a frame with the same exposure time, the HCCWD484 records each of its 388,800 pixels at its optimum exposure time. This results in correct color rendering and capturing of details in all applications including high contrast scenes with shadows and glare, where CCD cameras would render the same scene washed out or under exposed. Next Generation Image Capture Technology also eliminates multiple processing steps prior to being digitized and stored, which significantly reduces noise. This delivers crisp, high-resolution images without the presence of image artifacts, such as blooming or smearing, in both moving and still pictures.

### Market Opportunities

The Honeywell HCCWD484 is a cost effective surveillance solution designed for locations where high contrast and variable light conditions exist. Setup is quick and easy and the HCCWD484 can be customized with on-screen displays and preset modes providing optimum performance for both indoor and outdoor applications including: lobbies, atriums, vestibules, gated entrances, foyers, loading docks and driveways.

### Features

- 1/3" Wide Dynamic Digital Imager
- 14-bit digital processing
- Independent per-pixel exposure
- Dynamic range: 95 dB typical / 120 dB max – 100 to 200 times greater than conventional CCD cameras
- Higher frame rates – 50/60 fps progressive video capture for sharp image definition in all lighting conditions
- 0.4 lux @ F1.2 for true color representation in low light conditions
- 12 VDC or 24 VAC with line lock
- DC, Video and Manual Iris lens support

HCCWD484



# HCCWD484

---

Powerful new features offer exceptional performance for high contrast lighting conditions.

## Wide Dynamic Range Capabilities

Since every pixel can have its own exposure time optimized, high contrast scenes with shadows and glare, such as loading bays and lobbies, can be properly exposed through the entire field of view. The minimum 95 dB of dynamic range eliminates the need for selecting a portion of the scene to be properly exposed using backlighting compensation, but instead allows the entire scene to be properly exposed.

CCD Camera



HCCWD484



## Preset Scenes

The HCCWD484 offers five preset scene settings to ensure fast installation and setup of the camera. These include:

General Scenes – High Contrast scenes with no specific optimization for light or dark areas

Fluorescent – Office environments lit with fluorescent lighting having low dynamic range

Indoor – General indoor scenes

Outdoor – Outside environments and high contrast scenes where the camera is focused on the darker areas of the scene

User Defined – Allows the user to adjust the dynamic range of the camera to optimize the image for a given lighting condition

## Progressive Scan for Sharper Images

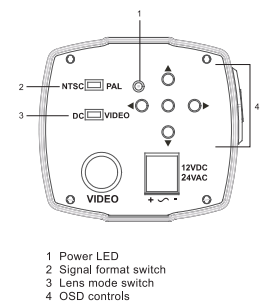
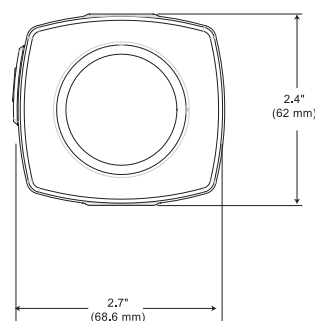
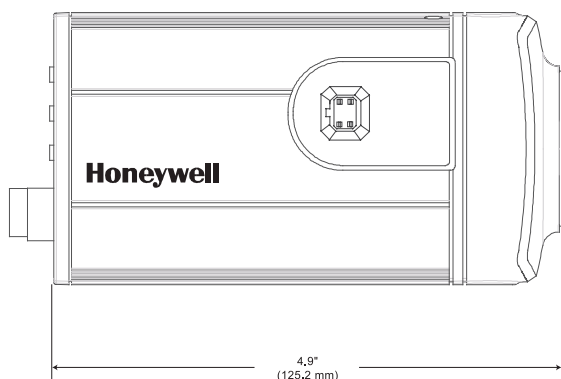
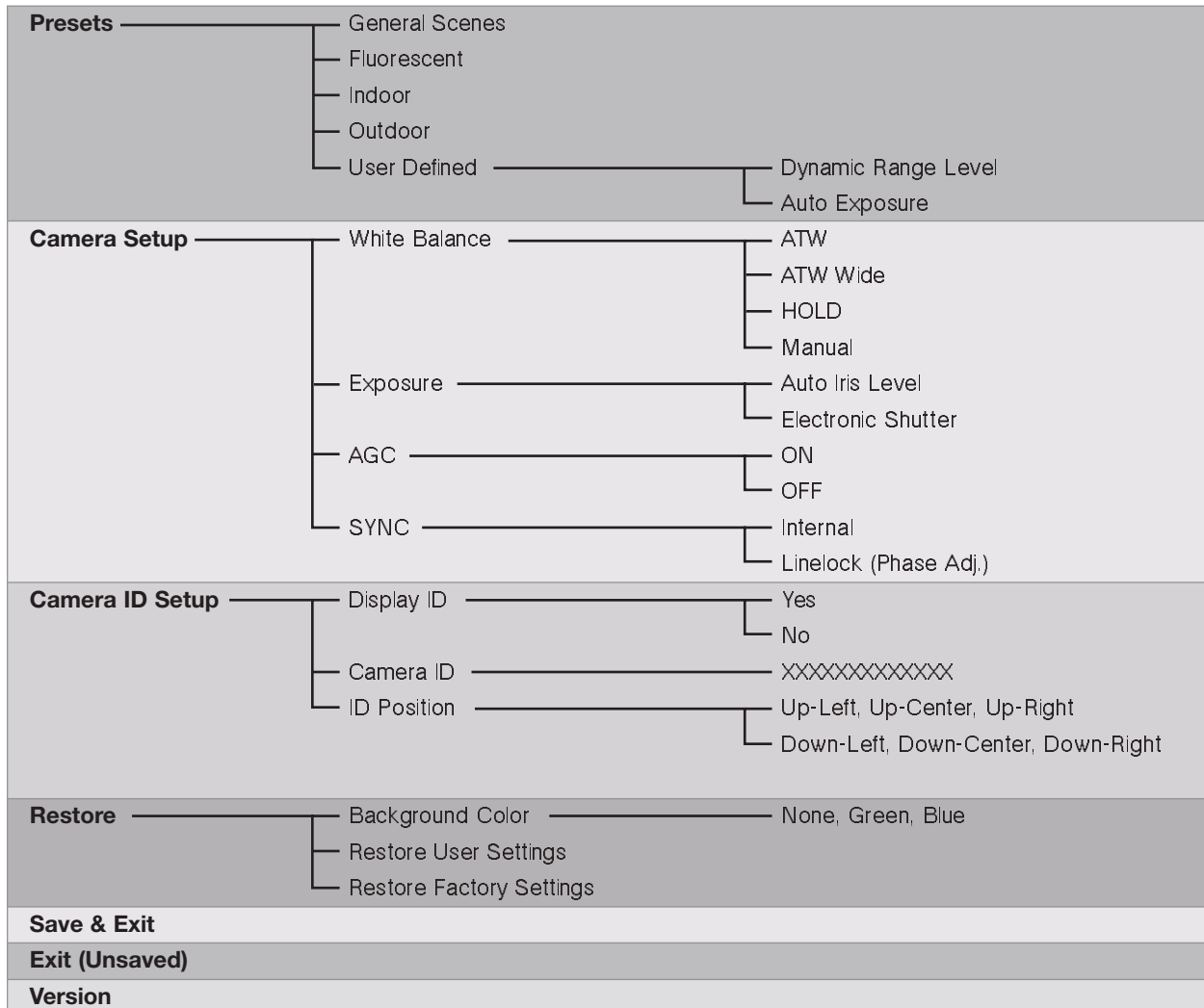
The HCCWD484 image processor uses progressive scanning technology to render a sharper picture than is produced by interlaced scanning technology used in conventional CCD cameras. The image is also smoother with less visual artifacts as there is less of a time delay in rendering the pictures captured by the individual pixels than there is in trying to combine two complete images that are captured sequentially.

## Low Light Performance

The HCCWD484 offers 0.4 lux of low light sensitivity, which is the best of any of the ultra wide dynamic range cameras on the market today. Honeywell offers three Vari-Focal Auto Iris lenses which have the widest maximum apertures of comparable lenses having the same focal length range. These are the HLD29V8F95L, 2.9 – 8 mm F0.95, the HLD27V13DNL, 2.7 – 13.5 mm F1.3 and the HLD5V50F13L, 5 – 50 mm F1.3. The HCCWD484 combined with one of Honeywell's Vari-Focal Auto Iris lenses offer the best low light performance of any ultra wide dynamic camera system in the market today.

## On Screen Display Menu

The HCCWD484 can be quickly set up and configured using the built-in OSD menu. This includes choosing preset scene settings, modifying the camera setup, and adding a camera ID.



# HCCWD484

## SPECIFICATIONS

Technical						
<b>Signal Format</b>	NTSC or PAL (switch selectable)					
<b>Imager Format</b>	1/3" WDR digital image device					
<b>Resolution</b>	480 TVL					
<b>Number of Effective Pixels</b>	388,800 Pixels (720H X 540V)					
<b>Dynamic Range</b>	95 dB typical/120 dB max					
<b>S/N Ratio</b>	52 dB typical					
<b>Video Output</b>	1 Vp-p, 75 Ohms					
<b>Light Sensitivity</b>	0.4 lux @ F1.2 (50 IRE)					
<b>Sensitivity Auto Gain</b>	Up to 16X (8X, 4X, 2X)					
<b>Color Balance</b>	ATW, ATW-WIDE, MANUAL / HOLD (2,000 to 11,000K)					
<b>AGC Control</b>	Off/On (0 – 44 dB max)					
<b>Sync. System</b>	Internal or line-lock					
<b>Scanning System</b>	525/60 lines (NTSC); 625/50 lines (PAL)					
<b>V-Phase</b>	Adjustable line-lock vertical phase					
<b>ALC</b>	Adjustable level control for direct drive Auto Iris lenses					
<b>Power Supply</b>	12 VDC / 24 VAC					
<b>Power Consumption</b>	4.5 W (complete system)					
<b>Surge Suppression</b>	1.5 kW transient					
<b>Lens Mount</b>	C/CS adjustable mounting ring					
<b>Camera Mount</b>	1/4 – 20 UNC (top and bottom)					
<b>Housing Material</b>	Aluminum					
<b>Dimensions (WxHxD)</b>	2.7 in. x 2.4 in. x 4.9 in. (68.6 mm x 62 mm x 125.2 mm)					
<b>Weight</b>	12 oz. (340 g) camera only					
<b>Video Output</b>	BNC connector					
<b>Power Input</b>	2-pin screw terminal					
<b>Power Indicator</b>	LED					
<b>Operating Temperature</b>	14°F to 113°F (-10°C to 45°C)					
<b>Relative Humidity</b>	20% to 80%					
Regulatory						
<b>Safety</b>	73/23/EEC Low Voltage Directive					
<b>Emissions</b>	EN 55022 Class A, FCC: Part 15					
<b>EMC Immunity</b>	EN 61000					
Ordering						
CAMERAS		LENS OPTIONS VARI-FOCAL AUTO IRIS		24VAC POWER SUPPLY OPTIONS		
				FUSED	SMART FUSED	
					DESCRIPTION	
<b>HCCWD484</b>	NTSC	<b>HLD29V8F95L</b>	2.9 – 8 mm F0.95	HPTV2404	HPTV2404CB	4 Amp, 4 Output
<b>HCCWD484X</b>	PAL	<b>HLD27V13DNL</b>	2.7 – 13.5 mm F1.3	HPTV2408*	HPTV2408CB*	4 Amp, 8 Output
		<b>HLD5V50F13L</b>	5 – 50 mm F1.3	HPTV2416*	HPTV2416CB*	8 Amp, 16 Output
				* higher current models available		

**Note:** Honeywell reserves the right, without notification, to make changes in product design or specifications.

### Honeywell Security

Honeywell Video Systems  
2700 Blankenbaker Parkway  
Louisville, KY 40299  
1.800.796.CCTV  
www.honeywell.com

L/HCCWD484/D  
April 2005  
©2005 Honeywell International, Inc.