

HCC474M

Ultra-Miniature, High-Resolution Color Cameras



Sharper Performance

The HCC474M is the next step in camera evolution. It boasts a wide range of advanced features within its ultra-miniature frame. Don't let its size fool you, it may be smaller, but the HCC474M outperforms cameras four times its size.

Low Light, No Problem

Using a 1/3", low-light CCD sensor, the HCC474M provides excellent color performance in extremely low light, down to 0.4 lux (f1.2). Being a quarter of the size of traditional cameras, it's also perfect for tight spaces and small housings.

A Breed Apart

What sets the HCC474M apart from the competition is its feature set. With an on-screen display for setup and adjustment, you get the perfect shot on every installation. Unlike other small-sized cameras, the HCC474M includes a switching 12VDC or 24VAC power supply with line lock and digital phase adjustment, as well as six-zone backlight compensation, 24-character text display, adjustable white balance modes and more.

FEATURES:

- High performance 1/3" CCD with DSP
- On-screen display menu and adjustment
- 470 lines of resolution
- High sensitivity (0.4 lux at f1.2, contrast "on")
- Digital backlight compensation with six sensing zones
- Small footprint, 1.6"(W) x 1.6"(H) x 2.8"(D)
- Auto electronic shutter modes from 1/60 to 1/100,000 sec
- Three mode white balance, ATW/AWC/Manual
- Text display, 24 alphanumeric characters
- Variable gamma, brightness and color control
- 12VDC or 24VAC with line lock
- Digital phase adjustment

HCC474M

Ultra-Miniature, High-Resolution Color Cameras

SPECIFICATIONS:

Power

- Power: 24VAC/12VDC
- Power Consumption: 3W (max.) watts
- Power Indicator: Green LED

Sensor and General Information

- Processing Technology: Digital Signal Processing with OSD
- Pick-up device: 1/3" interline transfer CCD
- Effective Pixels: NTSC: 768(H) x 494(V)
- Scanning System: Internal, line lock
- Electronic Shutter: NTSC: 1/60 to 1/100,000 sec
- Operating Temperature: (-10°C to 50°C) 14°F to 122°F
- Operating Humidity: <85%

Video

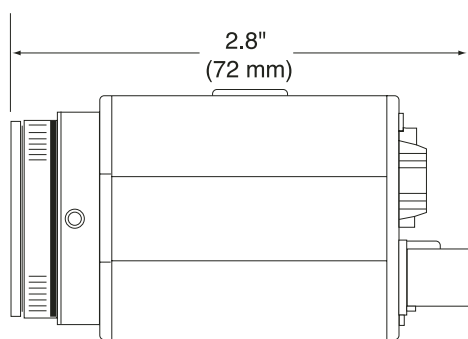
- Signal Format: NTSC
- Horizontal Resolution: NTSC: 470
- Minimum Illumination: 0.4 lux @ f1.2 (50IRE) (contrast "on")
- Video Outputs: Composite Video (1.0Vp-p)
- Signal to Noise Ratio: 50dB (AGC off)

Functions (Programmable - OSD)

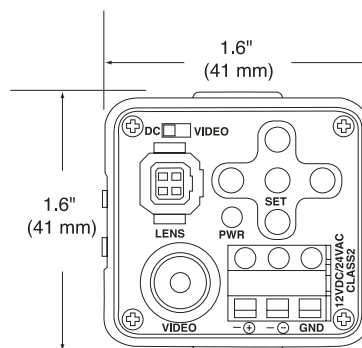
- Electronic Shutter: Off/Auto/Manual
- Manual Shutter Control: 1/60, 1/100, 1/120, 1/250, 1/500, 1/1000, 1/2000, 1/4000, 1/10000, 1/50000, 1/100000
- Lens Control: Manual/Video AI/Direct Drive AI
- Linelock Phase: 0 ~ 290 deg
- Back light Compensation: On/Off, six sensing zones
- Gamma Correction: Variable
- White Balance: ATW/AWC/Manual

Connector & Mechanical

- Video Output: BNC connector
- Power Input: Three-pin Screw Terminal
- Auto Iris Output: Four-pin Standard Jack
- Lens Mount: C/CS mount
- Mounting Hole: 1/4"- 20" UNC top and bottom
- Weight: (0.35 lbs) 160g
- External Dimensions: 1.6" (W) X 1.6" (H) X 2.8" (D)
41mm (W) X 41mm (H) X 73mm (D)



SIDE



BACK DETAIL

ORDERING:

HCC474M 1/3" High-Resolution Color Camera with DSP, OSD, 12VDC/24VAC, NTSC

Honeywell Video Systems

171 Eileen Way
Syosset, NY 11791
800 796 CCTV
www.honeywell.com

L/HCC474M/D
January 2005
©2005 Honeywell International Inc.

Honeywell