



Never before has a single manufacturer offered such a comprehensive range of CCTV cameras. The Honeywell video range comprises the E-series and the Systems series which, between them, suit all possible application requirements.

Honeywell Video Systems E-series colour and monochrome cameras are ideally suited for use in day to day surveillance applications. Designed for value, the E-series range saves time and money with easy installation and reliable performance. Their off-the-shelf feature set is developed for high picture quality in standard applications and they require little to no adjustment once installed.

All cameras in the range support direct drive and auto iris lenses to ensure quality video in fluctuating light conditions. Regardless of lens type, fitting the camera is simple with a built in C/CS mounting ring and 4-pin auto-iris connector as standard. The power connection is made with built in push terminals, eliminating the need for a screwdriver and saving installation time.

The E-series cameras include an automatic electronic shutter for changes in light level and an automatic backlight compensation option for viewing objects in the foreground with bright light in the background.

All cameras in the range provide reliable video quality even in low light conditions, making them the economical choice for most standard surveillance applications.

The Systems series range builds on this firm foundation but offers a market leading feature set. Unshielded Twisted Pair or NVT™ compatibility appears on most. Backlight compensation comes in 4 or 8 windows to maximise image quality in adverse conditions along with gamma correction, peak white inversion and sharpness adjustment. Discrete Cosine Transfer (DCT) enables efficient image processing to reduce image data sizes in low light conditions optimising the capability of associated digital storage devices. This gives more efficient use of space on the digital recorder's hard drive, allowing longer recording times. Wide ranging power supplies make installation and product selection far simpler.

## Contents:

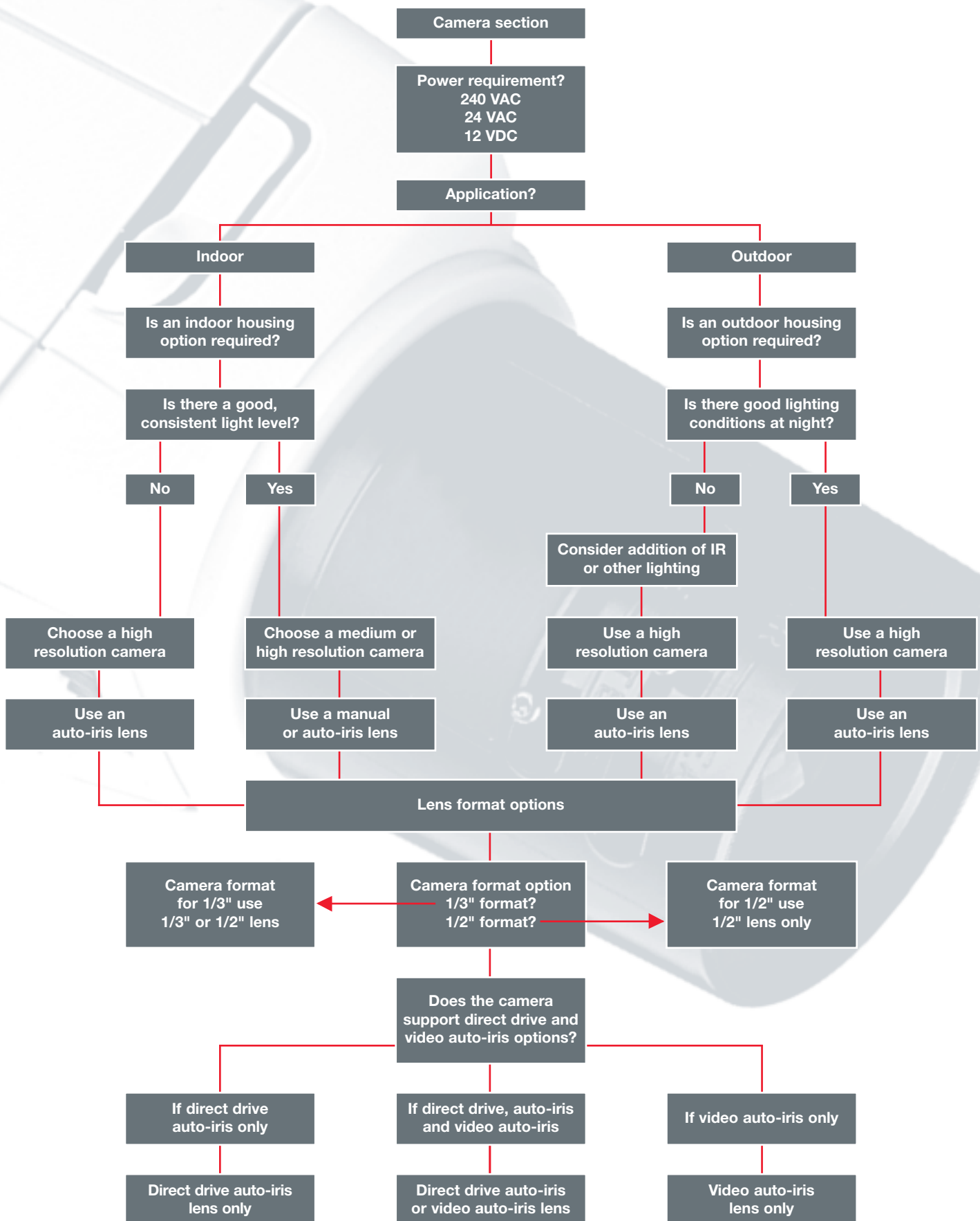
Medium resolution cameras  
colour and monochrome

High resolution cameras  
colour and monochrome

High resolution systems cameras

Colour/mono – day/night cameras

Follow the 'decision tree' to select your cameras, lenses and housings.



New Product Code	Old Product Code		New Honeywell Trade Price
------------------	------------------	--	---------------------------

**MONOCHROME CAMERAS**

**MEDIUM RESOLUTION MONOCHROME CAMERAS**

<b>LOW VOLTAGE</b>			
HCM404EX	<b>NEW PRODUCT</b>	1/3" monochrome, 400 TVL, 0.2 lux, backlight, 12VDC/24VAC SPS, CS/C, DD/AI	59.00
<b>MAINS VOLTAGE</b>			
HCM405EX	<b>NEW PRODUCT</b>	1/3" monochrome, 400 TVL, 0.2 lux, backlight, 240VAC, CS/C, DD/AI	59.00

**HIGH RESOLUTION MONOCHROME CAMERAS**

<b>LOW VOLTAGE</b>			
HCM584EX	<b>NEW PRODUCT</b>	1/3" monochrome, 580 TVL, 0.15 lux, backlight, 12VDC/24VAC SPS, 50dB, CS/C, DD/AI	90.00
<b>MAINS VOLTAGE</b>			
HCM585EX	<b>NEW PRODUCT</b>	1/3" monochrome, 580 TVL, 0.15 lux, backlight, 240VAC, 50dB, CS/C, DD/AI	90.00

**HIGH RESOLUTION SYSTEMS MONOCHROME CAMERAS**

ACM574TPX		<b>LOW VOLTAGE</b> 1/3" monochrome, 570 TVL, 0.1 lux, 8 windows backlight, 12VDC/24VAC SPS, 50dB, CS/C, DD/AI, DSP, PWI, DCT, NVT™ compatible	145.00
ACM575X		<b>MAINS VOLTAGE</b> 1/3" monochrome, 570 TVL, 0.1 lux, 8 windows backlight, 98-260VAC, 50dB, CS/C, DD/AI, DSP, PWI, DCT	145.00

**COLOUR CAMERAS**

**MEDIUM RESOLUTION COLOUR CAMERAS**

<b>LOW VOLTAGE</b>			
HCC334EX	<b>NEW PRODUCT</b>	1/3" colour, 330 TVL, 0.75 lux, backlight, 12VDC/24VAC SPS, 50dB	109.00
<b>MAINS VOLTAGE</b>			
HCC335EX	<b>NEW PRODUCT</b>	1/3" colour, 330 TVL, 0.75 lux, backlight, 240VAC, 50dB	109.00

**MEDIUM RESOLUTION SYSTEMS COLOUR CAMERAS**

ACC334TPX		<b>LOW VOLTAGE</b> 1/3" colour, 330 TVL, 1.0 lux, 4 windows backlight, 12VDC/24VAC SPS, CS/C, EI/DD/AI, DSP, 48dB, AWB, DD/AI, NVT™ compatible	145.00
ACC335X		<b>MAINS VOLTAGE</b> 1/3" colour, 330 TVL, 1.0 lux, 4 windows backlight, 98-260VAC, CS/C, EI/DD/AI, DSP, 48dB, AWB, DCT	145.00

**HIGH RESOLUTION COLOUR CAMERAS**

<b>LOW VOLTAGE</b>			
HCC494EX	<b>NEW PRODUCT</b>	1/3" colour, 480 TVL, 0.7 lux, backlight, 12VDC/24VAC SPS, 50dB, CS/C, DD/AI	135.00
<b>MAINS VOLTAGE</b>			
HCC495X	<b>NEW PRODUCT</b>	1/3" colour, 480 TVL, 0.7 lux, backlight, 240VAC, 50dB, AWB, CS/C, DD/AI	135.00

**HIGH RESOLUTION SYSTEMS COLOUR CAMERAS**

ACCM484TPX		<b>LOW VOLTAGE</b> 1/3" colour, 480 TVL, 0.7 lux, backlight, 12VDC/24VAC, SPS, CS/C, EI/DD/AI, DSP, 48dB, AWB, PWI, SVHS, DCT, NVT™ compatible	249.00
ACCM485TPX		<b>MAINS VOLTAGE</b> 1/3" colour, 480TVL, 0.7 lux, backlight, 98-260VAC, CS/C, EI/DD/AI, DSP, 48dB, AWB, 8 windows, NVT™ compatible, PWI, SVHS, DCT	249.00

**COLOUR/MONO – DAY/NIGHT CAMERAS**

CC-PH22SDN		<b>LOW VOLTAGE</b> 1/3" colour/mono, 470 TVL, 0.5/0.01 lux, 12VDC/24VAC, CS/C, EI/DD/AI, DSP, AWB, PWI, RS485	160.00
CC-PH23DN		<b>MAINS VOLTAGE</b> 1/3" colour/mono, 470 TVL, 0.5/0.01 lux, 240VAC, CS/C, EI/DD/AI, DSP, AWB, PWI, RS485	160.00

**BULLET STYLE CAMERAS**

HCX80C2100		1/3" colour bullet-style camera, aluminium enclosure, 350 TVL, 0.4 lux, backlight, built-in 4-9mm varifocal auto-iris lens, 12VDC/24VAC	299.00
HCX80C2600		1/3" colour bullet-style camera, aluminium enclosure, 480 TVL, 0.75 lux, backlight, built-in 4-9mm varifocal auto-iris lens, 12VDC/24VAC	356.00
HCX80D2100-T2		1/3" bullet-style camera, aluminium enclosure, true day/night, 350 TVL, 0.15 lux, backlight, built-in 4-9mm varifocal auto-iris lens, 12VDC/24VAC	357.00
HCX80D2600-T2		1/3" bullet-style camera, aluminium enclosure, true day/night, 480 TVL, 0.2 lux, backlight, built-in 4-9mm varifocal auto-iris lens, 12VDC/24VAC	396.00

Also available with LEDs. Please contact a member of our sales team.

**CAMERA BRACKETS**

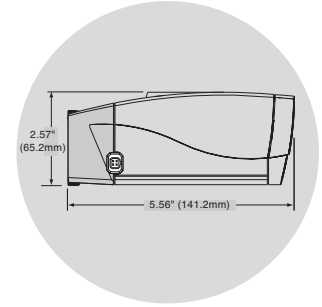
CB45	Internal camera bracket 4" to 6"	9.00
CB6	Internal power bracket 6"	11.00

**POWER SUPPLIES**

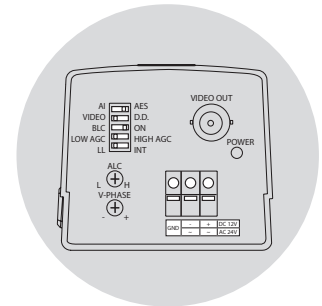
See Ancillaries Section



E-series camera



E-series camera side view



E-series camera rear view



Day/night camera



Bullet-style camera

www.security.honeywell.com  
 sales.video.uk@honeywell.com  
 North: +44 (0)1928 754040  
 South: +44 (0)1494 493600

# extended family



Our extended family of integrated security products contains everything to meet your day to day needs. From digital recording and keyboards through to lenses, cameras and LCD monitors. For choice and peace of mind keep it in the Honeywell family.

TO DISCUSS YOUR SECURITY NEEDS CALL HONEYWELL VIDEO SYSTEMS UK  
ON +44 (0)1928 754 040.

## Honeywell

### New from Honeywell Video Systems are:

- 15", 17" & 19" LCD TFT screens with anti-roll
- HRHD+ – the next generation in hard disk recorders
- Honeywell E-series cameras for every application
- HKJX8A keyboard – up to 128 video inputs with telemetry
- Comprehensive lens range including IR corrected

Honeywell Video Systems UK Limited is one of the world's largest and most experienced manufacturers of electronic security systems, with products that protect millions of homes, businesses and government facilities across the world. For more information, please call: +44 (0)1928 754 040. Or visit [www.security.honeywell.com](http://www.security.honeywell.com)

Australia • Czech Republic • France • Germany • Hong Kong • Italy • Netherlands • Poland • Slovakia • South Africa • Spain • United Kingdom • USA