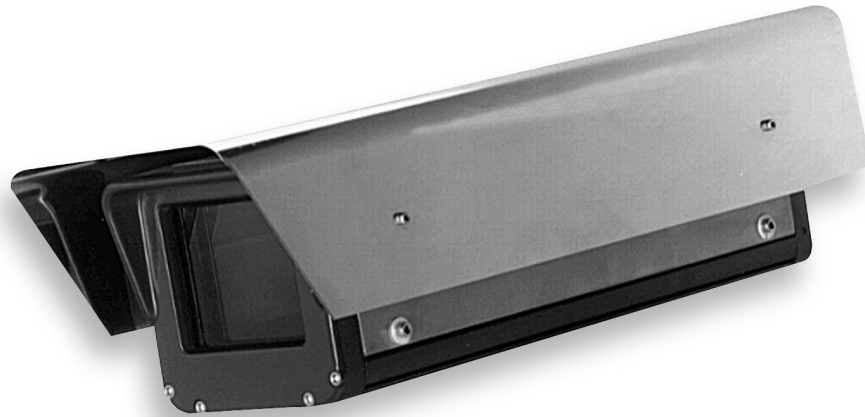


BPHKIT

TAMPER/BULLET RESISTANT ENCLOSURES



The BPHKIT camera housing has been designed for maximum bullet and tamper resistance. Each housing is constructed of heavy duty extruded aluminum with a 3mm stainless steel armored plate on each side to provide maximum protection from side impact. A 3/4 inch Lexan® window provides maximum protection against front impact. A stainless steel collapsible sunshield further protects the sides and the top of the housing.

Each housing is dustproof and weather resistant with an epoxy powder-coating, making it corrosion resistant.

These enclosures are suitable for parking structures, police stations, correctional facilities, high-crime areas or wherever a bullet/tamper resistant enclosure is required to secure a camera. They can accommodate 2/3", 1/2" and 1/3" CCD cameras with large fixed focal length or zoom lenses.

- **Bullet resistant**
- **Heavy-duty extruded aluminum construction**
- **Stainless steel sunshield**
- **3mm stainless steel armored plate**
- **3/4 inch Lexan® window**
- **Concealed cable channel for maximum protection**
- **Indoor/outdoor applications**
- **Epoxy powder coated for corrosion resistance**
- **Dustproof, IP65 weatherproofing**
- **Heater/blower option available**
- **2-year limited warranty**



BPHKIT

TECHNICAL SPECIFICATIONS

MODELS

BPHKIT	Indoor/outdoor, armored plate, bullet resistant enclosure for 2/3", 1/2" and 1/3" CCD cameras with fixed focal length lenses or large zoom lenses. Heater kit and stainless steel sunshield included.
---------------	---

MECHANICAL

Camera Mounting	Slotted camera sled
Max. Camera Size	Accommodates camera/lens combinations (including BNC connector) up to: 4.8W x 3.9H x 14L in
Viewing Area	3.7W x 3.1H in.
Viewing Window	3/4" Lexan®
Cable Entry	Concealed cable channel on center bottom
Dimensions	5.7W x 5.7H x 15.7L in (145W x 145H x 400L mm)
Weight	22 lbs (10kg)

GENERAL

Construction	Heavy-duty extruded aluminum body with 3mm armored plate stainless steel collapsible sunshield
Finish	Epoxy powder coating
Environment	Indoor/outdoor

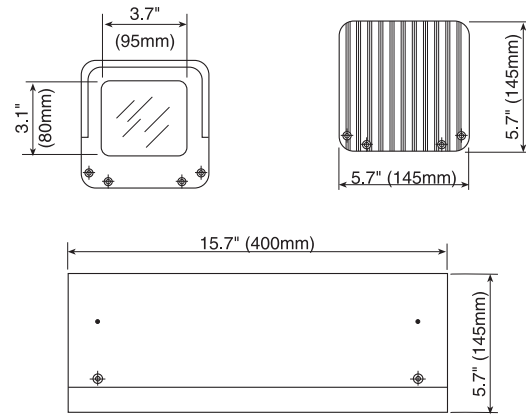
RECOMMENDED MOUNTS

BPWB	Recommended heavy-duty wall mount with integrated ball joint head and concealed cable channel, 12" long
CP	Reinforcing plate adapter for BPWB, 5.1W x 6.3H in
CW	Corner-mount adapter for BPWB
SFP	Pole-mount adapter for BPWB. Adjustable for 3" to 5.5" poles

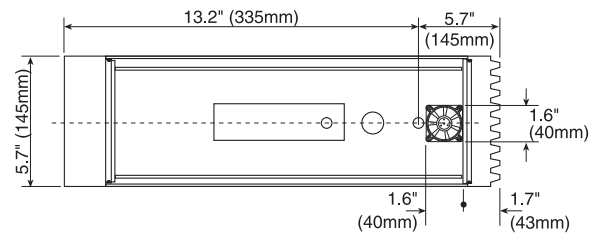
OPTIONS

BPH-HK	Thermostat controlled heater kit for BPHKIT, 24V ac, 20 Watts
BPH-BK	Thermostat controlled blower kit for BPHKIT, 24V ac (regulated to 24V dc), 3.4 Watts

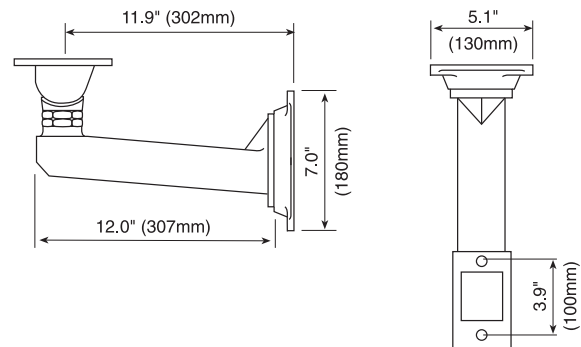
BPHKIT



BPH-BK



BPWB (Shown with SFP)



Design and specifications subject to change without notice.

Conversion: 1" = 25.4mm
Measurement conversions are approximate

Ultrak Worldwide Support Center:

1305 Waters Ridge Drive
Lewisville, TX 75057
(800) 796-2288 (972) 353-6500
Fax (972) 353-6670

