

The GVD C Series Integration Gateway is a web-based integrated video security and facility management solution that provides comprehensive integration of disparate video systems and third party subsystems, such as DVRS, access control, intrusion detection, and fire/burglar alarm.

Web-based operation control to work anywhere

GVD C Series Integration Gateway is a web-based IP video security software and facility solutions that provides comprehensive management of disparate video and other important security systems. It is simple, yet comprehensive, interface allows operators to manage the security from anywhere a networked PC with Microsoft Internet Explorer is available. Its core functions include video routing, recording, playback, and events/alarms management.

Distributed architecture to enable scalability to thousands of subsystems

C Series Integration Gateway operation is centralized to make security and facility management fast & efficient. The operator works with just one system, one interface. Its component architecture is distributed to enable scalability to thousands of subsystems. It is an open platform capable of integrating with video systems from many vendors. It has been successfully integrated with leading video and facility component vendors such as Identicard, GE Security, ADT, Software House, Bosch, Sony, Arecont, ObjectVideo many more.



Integration Gateway

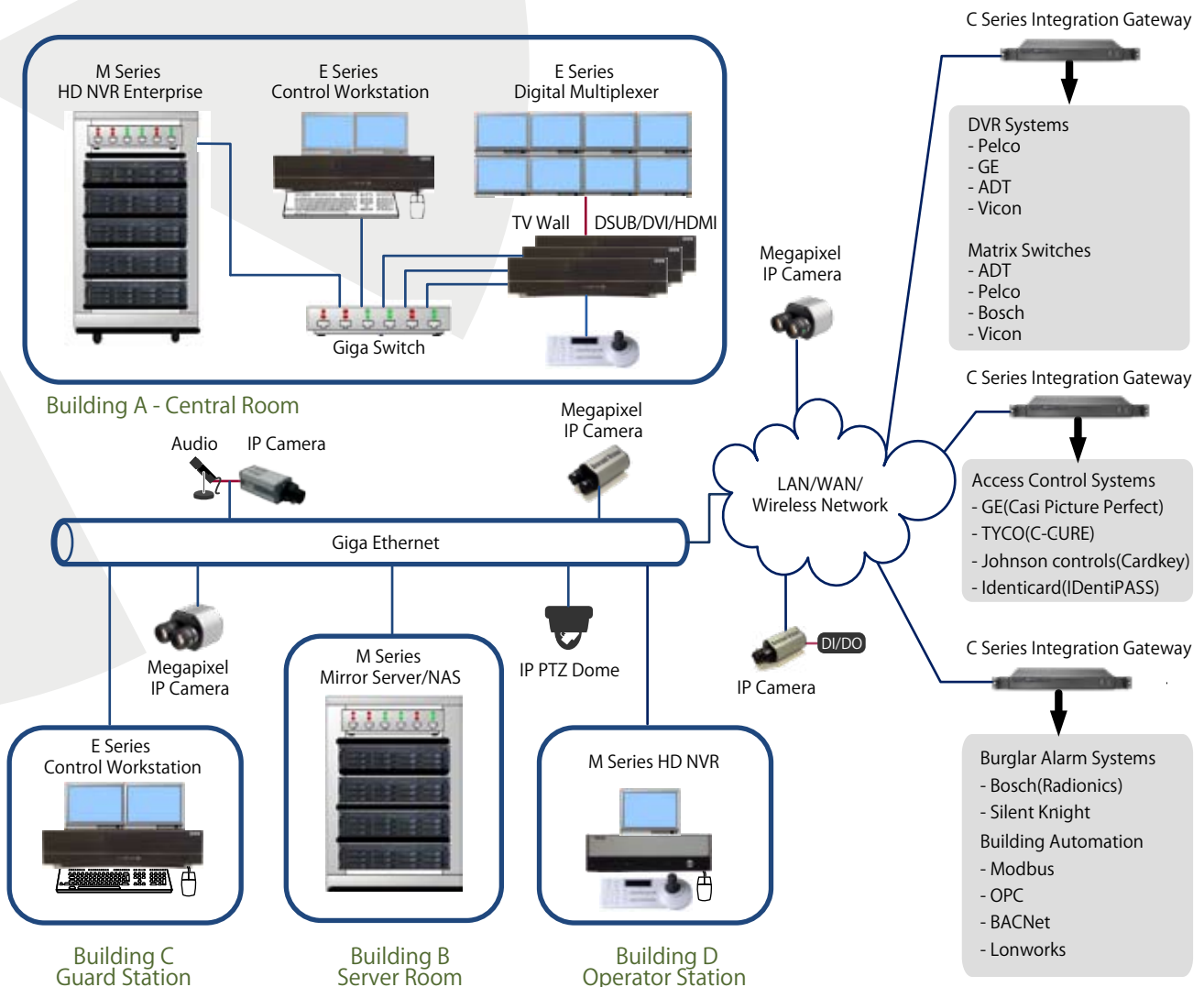
Web-based Third Party Security System Integration

Key Features

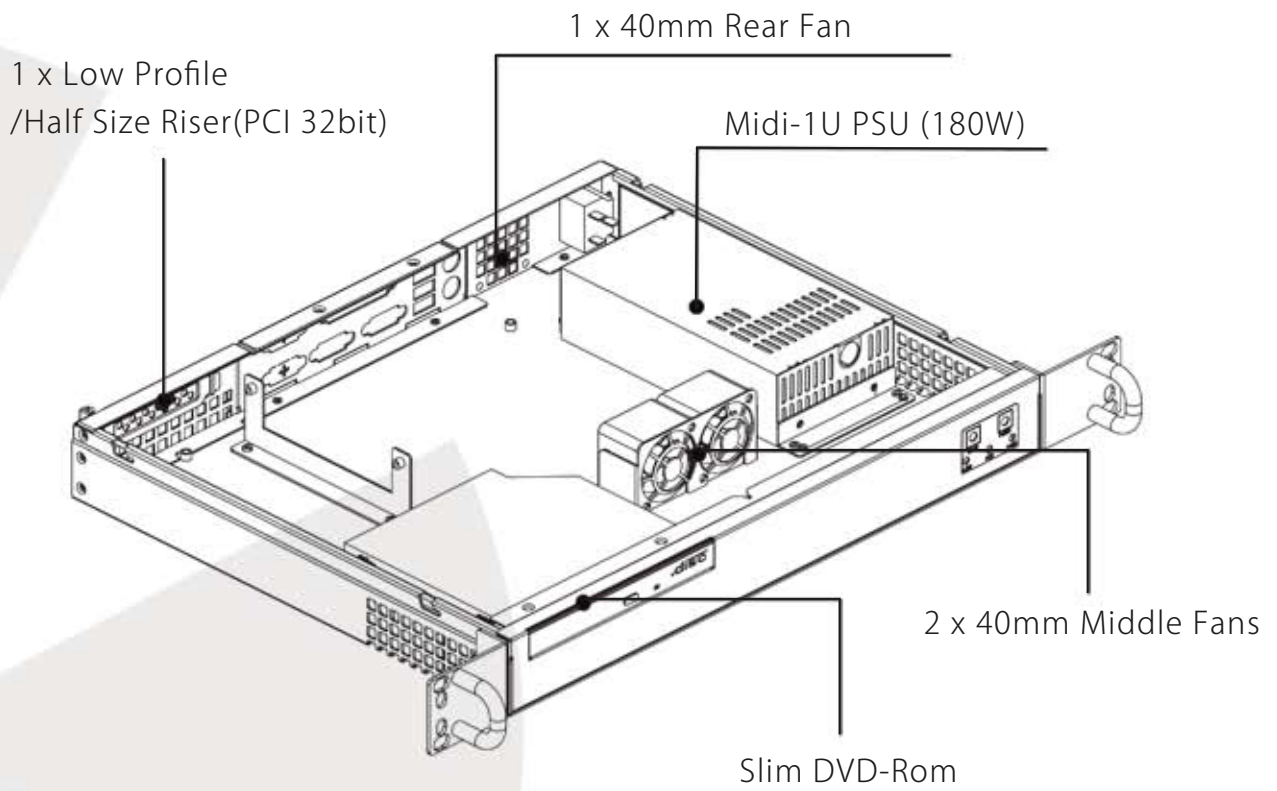


- Web browser access from anywhere anytime
- Complete user privilege control down to every device/event level
- Seamless integration between video systems, access control systems and other third party subsystems
- Consistent and powerful user interface to manage disparate security subsystems
- Point-and-click operations for most daily surveillance operations
- Intuitive operations reduce user training significantly
- Alarm interaction and event actions cross different systems
- Complete user privilege control down to every device/event level

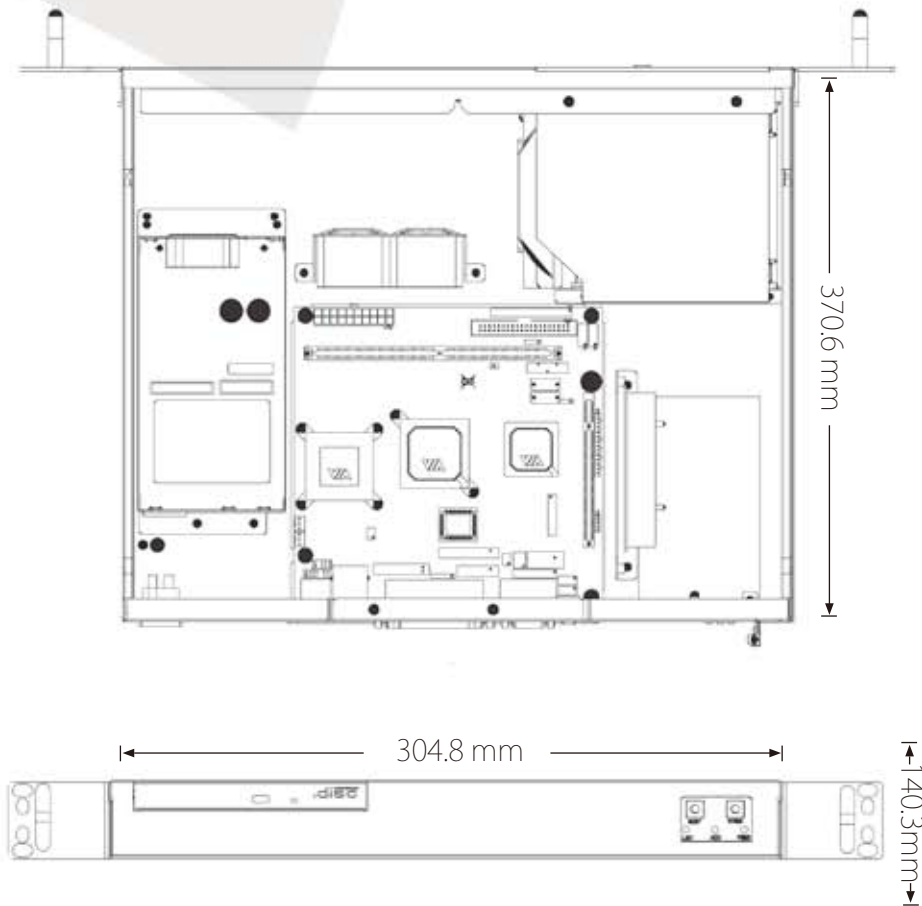
System Diagram




Major Components



Dimensions



Model	C100-DVR/IOM/ACS
	
● Form Factor	1U, Rackmount
● CPU	Intel Core 2 Duo E4500(2.2 GHz)
● Memory	2048 MB
● Hard Disk	80GB, SATA2
● Ethernet Port	1000Mb/s x 2
● Serial Port	9-pin 16550 UART x 1
● USB	USB 2.0 Ports x 1
● Display Port	D-SUB x1
● DVD ROM	Slim DVD-ROM
● Operating System	Windows XP
● Power Supply	Single Power Supply/180W
● Dimension	14.6"(W) X 12"(D) X 1.7"(H)