

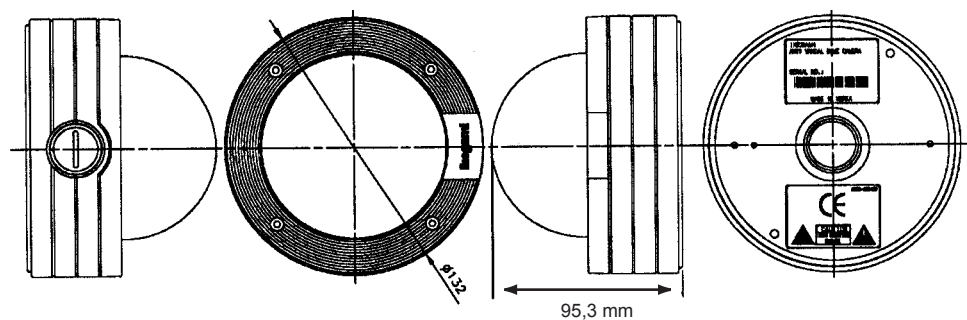
SID-600P

Anti vandal fixed dome camera



- Ideal for use in banks, retail stores, commercial buildings, prisons and industrial environment
- Motor zoom camera with Picture-in-Picture (PIP)
- 12 x optical zoom lens and 10 x digital zoom
- The camera can be controlled via RS 485 remotely
- IP 66 shockproof design
- With 480 lines of horizontal resolution

Dimensions



unit mm

Technical data

	SID-600P
Image sensor	1/4" CCD
Picture elements (H x V)	752 x 582 (PAL), 768 x 494 (NTSC)
Synchronization	Internal / Line lock
Resolution (horizontal)	480 TV lines
Video output	1 Vpp / 75 ohms, BNC
S/N ratio	50 dB
Sensitivity	1 lux (30 IRE), 0.008 lux (sense up) 128 x integration
Electronic shutter	OFF, ~1/10.000 s
Back light compensation	ON / OFF / SPOT switchable
Sensitivity up	Max. x 128 (auto / fix / off)
Motion detection	ON / OFF (area / sensitivity setting)
Video control	Positive / Negative, Mirror, Detail setting
Focus	AF (automatic / manual)
Integrated lens	Focal length: 3.6 ~ 43.2 mm 120 x zoom (12 x optical zoom, 10 x digital zoom with PIP (location setting))
Camera ID	Built in 1 line, 12 characters (location setting)
Camera connectors	Video out, Camera power, RS-485 (half duplex), Alarm out (relay)
Ambient temperature	-10 °C ~ +50 °C
Protection class	IP 66
Supply voltage	24 VAC / 12 VDC ± 10 %
Power consumption	Approx. 6 W
Weight	Approx. 800 g
Dimensions (D x H)	132 x 95.3 mm
Order no.	5.04390

Accessories

Wall bracket available optionally (Type: WH-6 / 5.04391)

Technical alterations reserved