

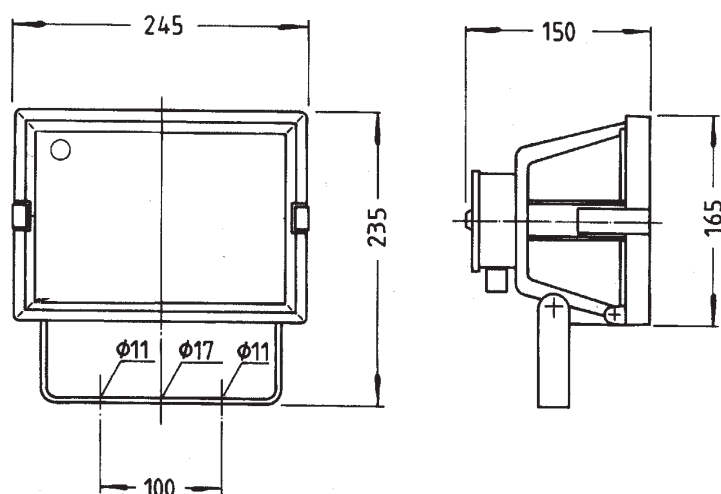
IR-LED "Illuminator" HELIOS LIR-60/880-50
IR-LED "Illuminator" HELIOS LIR-60/880-25

Energie saving LED - infrared illuminator
with integrated twilight switch



- High efficiency
- High reliability even when a LED fails
- Integrated PSU
- Extrem low maintenance costs
- Unobstrusive and cost effective installation
- Integrated twilight switch (add on feature)
- Low heat-build-up

Front / Side view



All dimensions in mm

Technical Data

	LIR-60/880-50	LIR-60/880-25
Angle of radiation	approx. 50°	approx. 25°
Range	approx. 42m	approx. 55 m
Wavelength	880 nm	
Number of LEDs	340	
Operation temperature	- 20°C bis +30°C (oder 40°C) The live span of the LEDs depends on temperature. Therefore it is recommended not to exceed an operating temperature of 30°C with long-lasting effect.	
Twilight switch	ON: below approx. 500 Lux; off: over 600 Lux, delayed switching	
LED-failure behaviour	In case of failure of one LED group (out of 20): powerloss off 5%	
Operating voltage	230 V _{AC} to 240 V _{AC} ± 10%	
Current consumption	approx. 0,25 A	
Power consumption	approx. 60 W an 230 V _{AC}	
Housing	Aluminium, black finish, front window mainly non transparent	
Type of protection	IP 55 (complete protection against dust deposits and water jets)	
Dimensions in mm (BxHxT)	245 x 165 x 152; with mounting bracket: 235 (H)	
Weight	approx. 2,9 kg	

Geutebruck (UK) Ltd