



DISCREET CAMERA

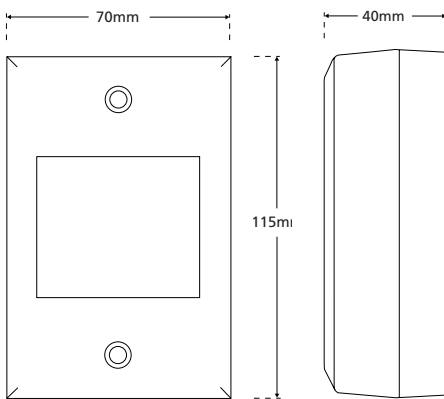
MONOCHROME

SM-350/A

● Surface Mount monochrome camera

View from front

Side view



115mm (H) x 70mm (W) x 40mm (D)

- Wall or ceiling mountable
- Camera mounted on manually adjustable miniature 'swivel and tilt' cradle, for exact camera positioning
- Smoked face plate disguises exact lens direction
- Ideal for mounting at head height by doorways to monitor the movement of people through buildings
- Cables feed directly into wall or ceiling so cannot be tampered with
- Comes with free power supply
- Comes with free audio capability
- Comes with lint-free cleaning cloth to remove grease and dirt from case and lens

- 1/3" CCD
- 380 TV lines
- 0.3 lux sensitivity
- Supply voltage: 12 Vdc
- Audio output: 1V p-p

Lens options

Lens	Product Code
4.0mm	SM-350/A
2.5mm	SM-350/A/2.5
6.0mm	SM-350/A/6.0
8.0mm	SM-350/A/8.0
12.0mm	SM-350/A/12.0

All lens options are the same price

See Also:



IW-650/A
Colour in-wall camera



IW-350/A
Monochrome in-wall camera



SM-650/A
Colour option

SPECIFICATION

Image sensor	MOD-308/A camera module
Horizontal resolution	1/3" CCD sensor, 512 (H) x 582 (V) pixels
Lens options	380 TV lines or greater
Electronic shutter	SEE TABLE
Sensitivity	Automatic linear shutter
Video output	0.3 lux
Supply voltage	CCIR, 1Vp-p, 75 Ohms
Working temperature	12 Vdc ± 10%
	-18°C to +60°C

VIDEO

AUDIO

Microphone	Omni-directional electret
Audio output	1Vp-p, 600 Ohms
Audio bandwidth	100Hz - 10KHz, +/- 3dB

Specification and availability of products are subject to change without notice