

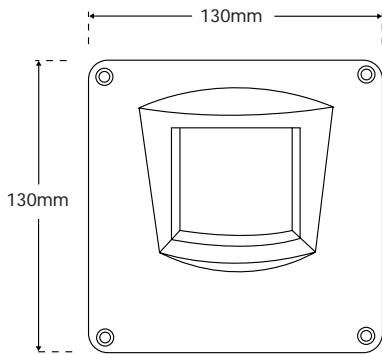


DISCREET CAMERA

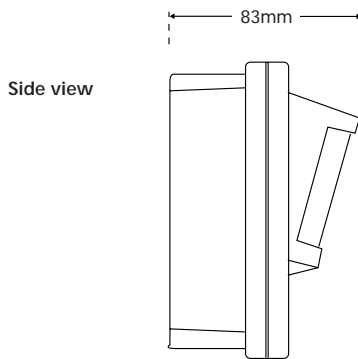
COLOUR

PI-610VR

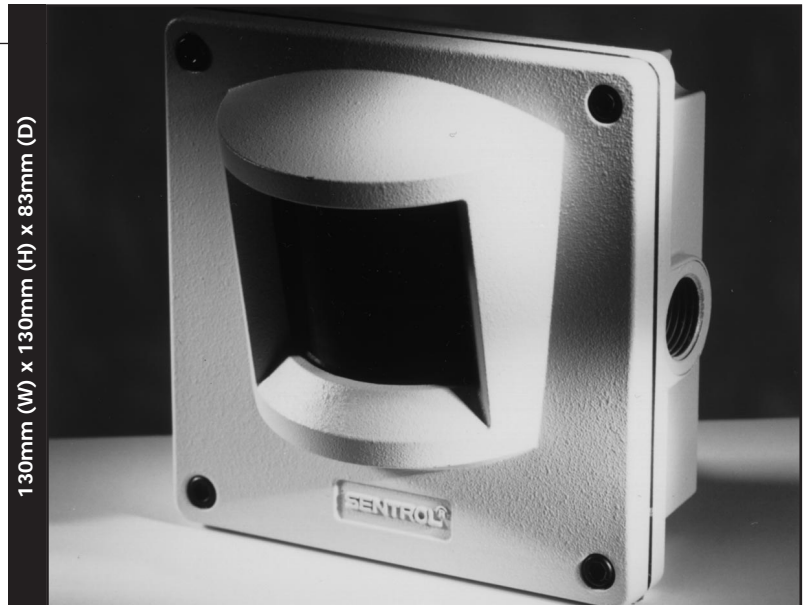
● Outdoor vandal-resistant colour PIR case camera



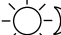



Front view



Side view



-  1/3" CCD
-  330 TV lines
-  2.5 lux sensitivity
-  Supply voltage: 12 Vdc

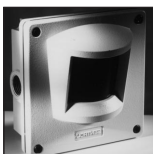
Lens options

| Lens | Product Code |
|--------|---------------|
| 4.0mm | PI-610VR |
| 2.3mm | PI-610VR/2.3 |
| 5.6mm | PI-610VR/5.6 |
| 8.0mm | PI-610VR/8.0 |
| 16.0mm | PI-610VR/16.0 |

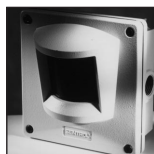
All lens options are the same price

- Superb picture quality
- Heavy-duty, powder-coated, die-cast aluminium housing with smoked polycarbonate viewing window
- Comes with free optional clear viewing window
- Multi-directional wall/corner-mount bracket available - product code: PI-X10VR/B
- Screw-entry conduit point for vandal-resistant cabling
- Camera module mounted manually adjustable 'swivel and tilt' cradle for exact camera positioning.

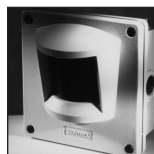
See Also:



PI-710VR
High resolution
colour option



PI-310VR
Monochrome
option



PI-610VR/AI
Auto-iris option

| SPECIFICATION | MOD-616 camera module |
|-----------------------|---|
| Image sensor | 1/3" CCD sensor, 500 (H) x 582 (V) pixels |
| Horizontal resolution | 330 TV lines or greater |
| Lens options | SEE TABLE |
| Electronic shutter | Automatic linear shutter |
| Sensitivity | 2.5 lux |
| Video output | PAL, 1Vp-p, 75 Ohms |
| Supply voltage | 12 Vdc ± 10% |
| Working temperature | -5°C to +40°C |

Specification and availability of products are subject to change without notice