

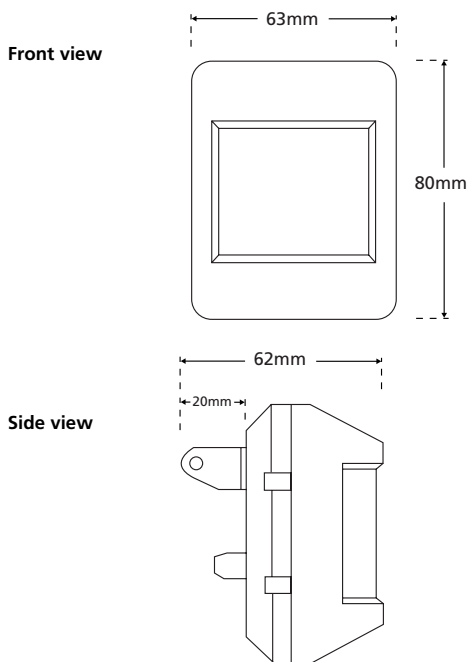


**COVERT CAMERA**

**MONOCHROME**

# PI-350/A

● PIR case monochrome camera



- 1/3" CCD
- 380 TV lines
- 0.3 lux sensitivity
- Supply voltage: 12 Vdc
- Audio output: 1V p-p

### Lens options

Lens	Product Code
4.0mm	PI-350/A
2.5mm	PI-350/A/2.5
6.0mm	PI-350/A/6.0
8.0mm	PI-350/A/8.0
12.0mm	PI-350/A/12.0

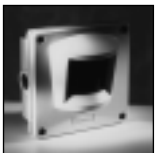
All lens options are the same price

- Versatile bracket for wall or ceiling mounting
- Standard rather than pinhole lens gives superior performance in low light conditions
- Scratch-resistant infrared front for easy maintenance
- Smoked and clear window material also available
- Comes with free power supply
- Comes with free audio capability
- Comes with lint-free cleaning cloth to remove grease and dirt from case and lens

Comes with unique Universal Bracket for exact camera positioning.



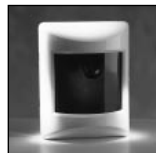
### See Also:



**PI-310VR**  
Outdoor vandal-resistant monochrome PIR case camera



**PI-380/PWA**  
Working PIR monochrome camera



**PI-550/A**  
High-resolution option

SPECIFICATION		MOD-308/A camera module
<b>VIDEO</b>	Image sensor	1/3" CCD sensor, 512 (H) x 582 (V) pixels
	Horizontal resolution	380 TV lines or greater
	Lens options	SEE TABLE
	Electronic shutter	Automatic linear shutter
	Sensitivity	0.3 lux
	Video output	CCIR, 1Vp-p, 75 Ohms
	Supply voltage	12 Vdc ± 10%
Working temperature	-18°C to +60°C	
<b>AUDIO</b>	Microphone	Omni-directional electret
	Audio output	1Vp-p, 600 Ohms
	Audio bandwidth	100Hz - 10KHz, +/- 3dB

Specification and availability of products are subject to change without notice