

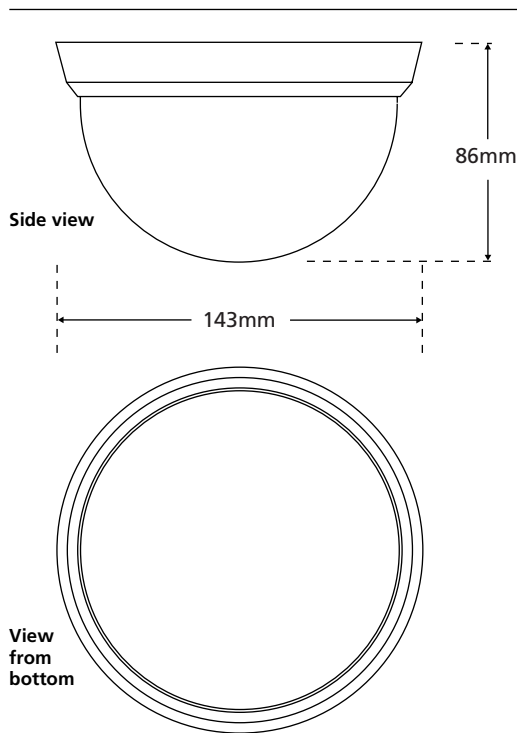


**COVERT CAMERA**

**MONOCHROME**

# DM-310

● Mini-dome monochrome camera



- Camera mounted on manually adjustable miniature 'swivel and tilt' cradle, for exact camera positioning
- Comes with black base plate and smoked dome. Also available with white base plate and clear dome
- Comes with free power supply
- Comes with free audio capability
- Comes with lint-free cleaning cloth to remove grease and dirt from case and lens

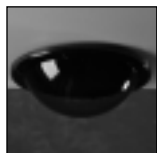
- 1/3" CCD
- 380 TV lines
- 0.3 lux sensitivity
- Supply voltage: 12 Vdc
- Audio output: 1V p-p

### Lens options

Lens	Product Code
4.0mm	DM-310/A
2.5mm	DM-310/A/2.5
6.0mm	DM-310/A/6.0
8.0mm	DM-310/A/8.0
12.0mm	DM-310/A/12.0

All lens options are the same price

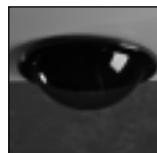
### See Also:



**DM-300/A**  
Vandal-resistant dome camera



**DM-610/A**  
Colour options



**DM-304**  
Vandal-resistant multi-directional 4 camera dome

### SPECIFICATION

	MOD-308/A camera module
Image sensor	1/3" CCD sensor, 512 (H) x 582 (V) pixels
Horizontal resolution	380 TV lines or greater
Lens options	SEE TABLE
Electronic shutter	Automatic linear shutter
Sensitivity	0.3 lux
Video output	CCIR, 1Vp-p, 75 Ohms
Supply voltage	12 Vdc ± 10%
Working temperature	-18°C to +60°C

### VIDEO

### AUDIO

Microphone	Omni-directional electret
Audio output	1Vp-p, 600 Ohms
Audio bandwidth	100Hz - 10KHz, +/- 3dB

Specification and availability of products are subject to change without notice