

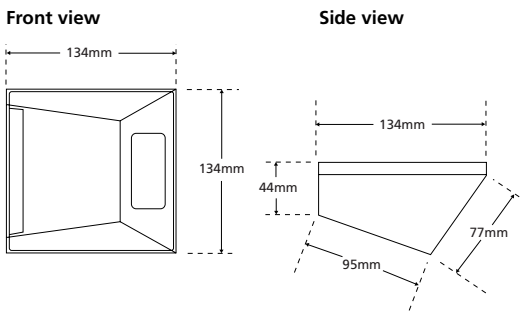


**DISCREET CAMERA**

**MONOCHROME**

# CW-300VR/A

● Indoor vandal-resistant ceiling/wall mount monochrome camera



- Replaces traditional 'camera + lens + housing' approach with one easy to install unit
- White, powder-coated 1.2mm steel housing for maximum vandal-resistance
- Easily replaceable, toughened 4mm thick polycarbonate viewing window
- Smoked viewing window also available - product code: VR-WGR
- For ceiling or wall mount - camera module rotates within housing so that viewed picture remains upright
- Tamper-proof upgrade kit available - product code: VR-TRK
- Camera module mounted on manually adjustable miniature 'swivel and tilt' cradle, for exact camera positioning
- Cables feed directly into wall or ceiling so cannot be tampered with
- Optional knockout for use with 20mm diameter steel trunking
- Comes with free power supply
- Comes with free audio capability
- Comes with lint-free cleaning cloth to remove grease and dirt from case and lens

- 1/3" CCD
- 380 TV lines
- 0.3 lux sensitivity
- Supply voltage: 12 Vdc
- Audio output: 1V p-p

### Lens options

Lens	Product Code
4.0mm	CW-300VR/A
2.5mm	CW-300VR/A/2.5
6.0mm	CW-300VR/A/6.0
8.0mm	CW-300VR/A/8.0
12.0mm	CW-300VR/A/12.0

All lens options are the same price

"These units are small, can withstand a very high level of abuse and we would recommend their use"

PSI Magazine Bench Test - October 1998

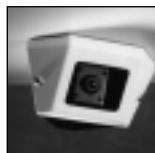
### See Also:



CC-300VR/A Indoor vandal-resistant monochrome cornice-mount camera



CU-305VR/PA Indoor vandal-resistant ceiling unit containing five monochrome cameras



CM-300VR/A Indoor vandal-resistant monochrome corner-mount camera

SPECIFICATION		MOD-308/A camera module	
VIDEO	Image sensor	1/3" CCD sensor, 512 (H) x 582 (V) pixels	
	Horizontal resolution	380 TV lines or greater	
	Lens options	SEE TABLE	
	Electronic shutter	Automatic linear shutter	
	Sensitivity	0.3 lux	
	Video output	CCIR, 1Vp-p, 75 Ohms	
	Supply voltage	12 Vdc ± 10%	
	Working temperature	-18°C to +60°C	
	AUDIO	Microphone	Omni-directional electret
		Audio output	1Vp-p, 600 Ohms
Audio bandwidth		100Hz - 10KHz, +/- 3dB	

Specification and availability of products are subject to change without notice