

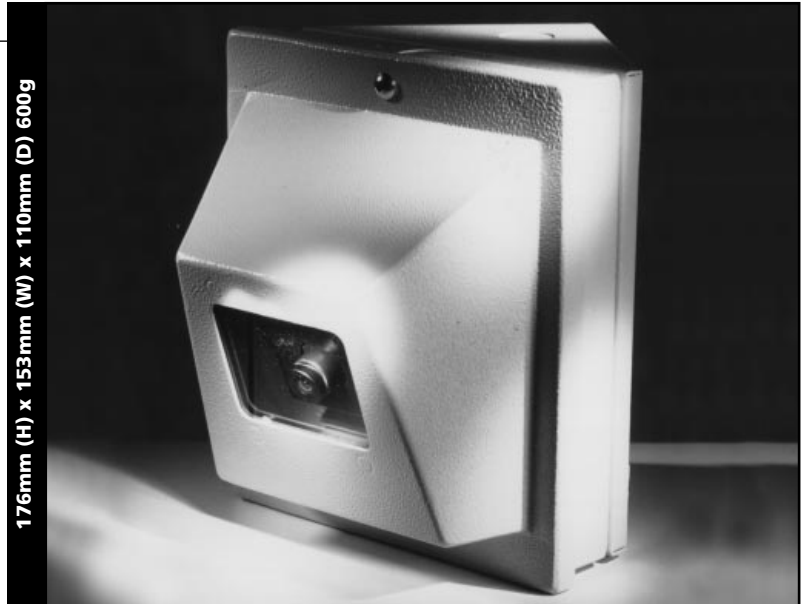
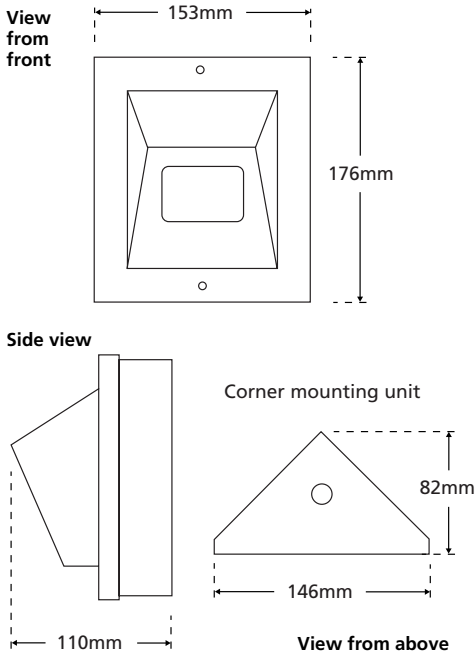


**DISCREET CAMERA**

**COLOUR**

# CM-610VR

● **Outdoor Colour Vandal-Resistant Corner Mount Camera**



- 1/3" CCD
- 330 TV lines
- 2.5 lux sensitivity
- Supply voltage: 12 Vdc

**Lens options**

Lens	Product Code
4.0mm	CM-610VR
2.3mm	CM-610VR/2.3
5.6mm	CM-610VR/5.6
8.0mm	CM-610VR/8.0
16.0mm	CM-610VR/16.0

All lens options are the same price

- **Superb picture quality**
- **Beige, powder-coated, 1.5mm stainless steel housing designed to IP65**
- **Easily replaceable, toughened, 4mm thick, polycarbonate viewing window**
- **Smoked viewing window also available - product code: VR-WGR**
- **Tamper-proof upgrade kit available - product code: VR-TRK**
- **Camera module mounted on manually adjustable miniature 'swivel and tilt' cradle, for exact camera positioning**
- **Comes with built-in 220Vac heater and thermostat to prevent misting**

*"These units are small, can withstand a very high level of abuse and we would recommend their use"*

PSI Magazine Bench Test - October 1998

See Also:



CM-610VR/AI Auto-iris option



CM-310VR Monochrome option



CM-510VR High resolution monochrome option

SPECIFICATION	MOD-616 camera module
Image sensor	1/3" CCD sensor, 500 (H) x 582 (V) pixels
Horizontal resolution	330 TV lines or greater
Lens options	SEE TABLE
Electronic shutter	Automatic linear shutter
Sensitivity	2.5 lux
Video output	PAL, 1Vp-p, 75 Ohms
Supply voltage	12 Vdc ± 10%
Working temperature	-5°C to +40°C

Specification and availability of products are subject to change without notice