

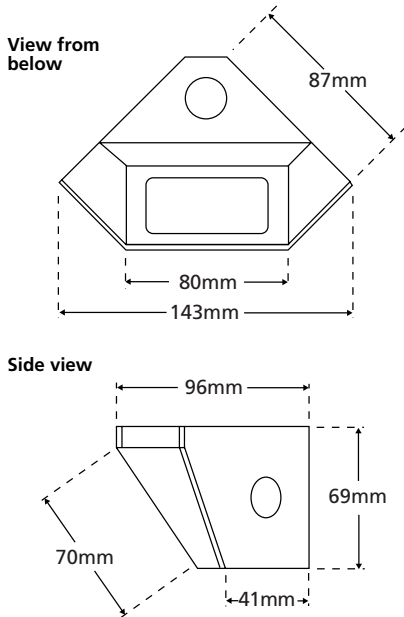


DISCREET CAMERA

COLOUR

CM-700VR/A

- Indoor vandal-resistant high resolution colour corner mount camera



- 1/3" CCD
- 450 TV lines
- 5 lux sensitivity
- Supply voltage: 12 Vdc
- Audio output: 1V p-p

Lens options

Lens	Product Code
4.0mm	CM-700VR/A
2.3mm	CM-700VR/A/2.3
5.6mm	CM-700VR/A/5.6
8.0mm	CM-700VR/A/8.0
16.0mm	CM-700VR/A/16.0

All lens options are the same price

- **Superb picture quality**
- **White, powder-coated, 1.2mm, steel housing**
- **Easily replaceable, toughened 4mm thick polycarbonate viewing window**
- **Smoked viewing window also available - product code: VR-WGR**
- **Tamper-proof upgrade kit available - product code: VR-TRK**
- **Camera module mounted on manually adjustable miniature 'swivel and tilt' cradle, for exact camera positioning**
- **Cables feed directly into wall or ceiling so cannot be tampered with**
- **Comes with free power supply unit**

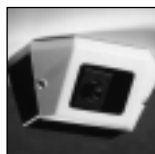
"These units are small, can withstand a very high level of abuse and we would recommend their use"

PSI Magazine Bench Test - October 1998

See Also:



CM-710VR
Outdoor option



CC-700VR/A
Cornice mount option



CM-600VR/A
Standard resolution colour option

SPECIFICATION

Image sensor	MOD-715 camera module
Horizontal resolution	1/3" CCD sensor, 752 (H) x 582 (V) pixels
Lens options	450 TV lines or greater
Electronic shutter	SEE TABLE
Sensitivity	Automatic linear shutter
Video output	5.0 lux
Supply voltage	PAL, 1Vp-p, 75 Ohms,
Working temperature	12 Vdc ± 10%
	-5°C to +40°C

VIDEO

Microphone	Omni-directional electret
Audio output	1Vp-p, 600 Ohms
Audio bandwidth	100Hz - 10KHz, +/- 3dB

AUDIO

Specification and availability of products are subject to change without notice