

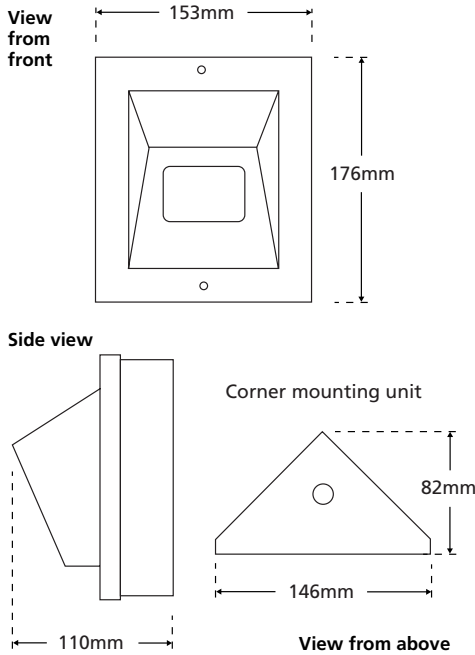


DISCREET CAMERA

MONOCHROME

CM-510VR

- Outdoor vandal-resistant high resolution monochrome corner mount camera



- 1/3" CCD
- 560 TV lines
- 0.2 lux sensitivity
- Supply voltage: 12 Vdc

Lens options

Lens	Product Code
4.0mm	CM-510VR
2.5mm	CM-510VR/2.5
6.0mm	CM-510VR/6.0
8.0mm	CM-510VR/8.0
12.0mm	CM-510VR/12.0

All lens options are the same price

- Superb picture quality
- Beige, powder-coated, 1.5mm stainless steel housing designed to IP65
- Easily replaceable, toughened, 4mm thick, polycarbonate viewing window
- Smoked viewing window also available - product code: VR-WGR
- Tamper-proof upgrade kit available - product code: VR-TRK
- Camera module mounted on manually adjustable miniature 'swivel and tilt' cradle, for exact camera positioning
- Comes with built-in 220Vac heater and thermostat to prevent misting

"These units are small, can withstand a very high level of abuse and we would recommend their use"

PSI Magazine Bench Test - October 1998

See Also:



CM-310VR/AI
Auto-iris option



CM-310VR
Standard resolution option



SM-610VR
Outdoor colour surface mount camera

SPECIFICATION	MOD-507 camera module
Image sensor	1/3" CCD sensor, 725 (H) x 582 (V) pixels
Horizontal resolution	560 TV lines or greater
Lens options	SEE TABLE
Electronic shutter	Automatic linear shutter
Sensitivity	0.2 lux
Video output	CCIR, 1Vp-p, 75 Ohms
Supply voltage	12 Vdc ± 10%
Working temperature	-10°C to +50°C

Specification and availability of products are subject to change without notice