

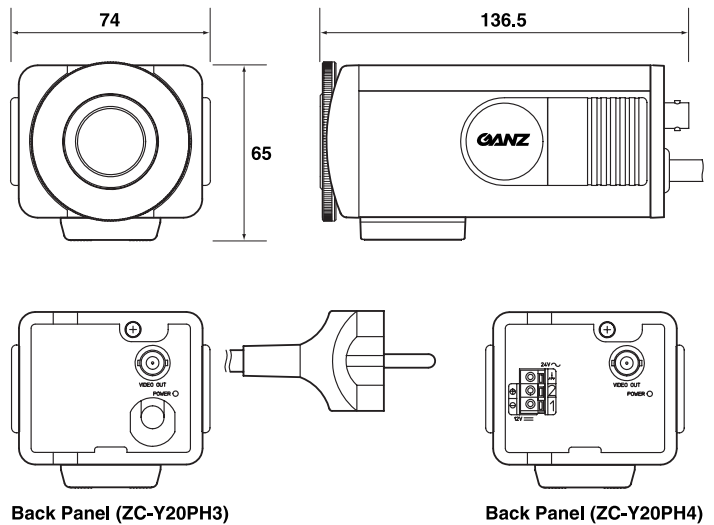
Y20 SERIES



Features

- Wide Dynamic Range (Over 60dB)
- Frame Integration Low Light Mode (Maximum x32 Sensitivity)
- High-Resolution CCD (470 TV Lines / Horizontal)
- Set Up By On-Screen Display
- Line Lockable With Line Phase Adjustment
- Accepts DC or Video Type Auto-Iris Lens
- Impressive Colour Reproduction

Appearance



Specifications / ZC-Y20PH PAL Version

Model Number	ZC-Y20PH3	ZC-Y20PH4
TV System	PAL	
Video Output	VBS 1.0Vp-p / 75Ω (BNC)	
Image Sensor	1/3" IT CCD	
Effective Elements (HxV)	752 x 582	
Scanning System	2 : 1 Interlace	
Scanning Frequency	15.625kHz (Horizontal) / 50.00Hz (Vertical)	
Resolution	470 TV Lines (Horizontal) / 410 TV Lines (Vertical)	
S/N Ratio	Typ. 48dB (AGC Off)	
Dynamic Range	More Than 60dB (WDR On)	
Synchronization System	Internal / Line Lock (Phase Adjustable) / Vertical External	
Minimum Illuminance	Normal : 2.2 lux (F=1.2, 50 IRE) / Low Light Mode (x32) : 0.03 lux (F=0.8, 50 IRE)	
AES Range	1 : 500	
Shutter Speed	1/50, 1/120, 1/125, 1/250, 1/500, 1/1000, 1/2000, 1/4000, 1/10000 Sec.	
Low Light Mode	Off, x2, x4, x8, x16, x32	
White Balance	ATW / AWB / Manual 1 / Manual 2	
AGC	Auto / Fixed (0 to 18dB) / Off	
Character Display	8 Characters	
Auto Iris Lens Output	Video / DC With 4 Pin Connector	
Operating Temperature	-10°C - +50°C	
Operating Humidity	Less Than RH80% (Keep Free From DAMP)	
Power Input	230VAC, 50 / 60Hz	12VDC / 24VAC, 50 / 60Hz
Power Consumption	Approx. 5W	
Weight	Approx. 640g	Approx. 440g
Dimensions	74 (W) X 65 (H) X 136.5 (D) mm	

Features and specifications are subjected to change without any notice for further improvement.



CBC GROUP

<http://www.cbc.co.jp>

Tokyo Osaka Nagoya Fukuoka Kanazawa Sendai New York Los Angeles London Milan Paris Düsseldorf Warszawa Hong Kong Taipei Jakarta Bangkok Singapore Shanghai Beijing Bangladesh