

ZC-F10C SERIES

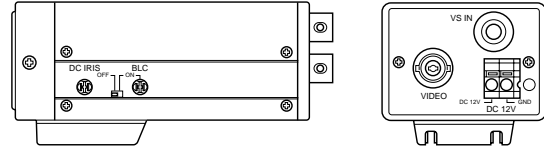


Features

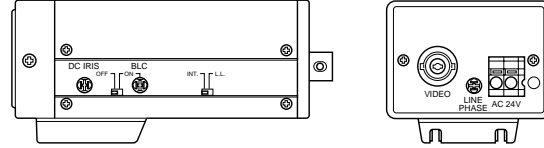
- EXview HAD CCD Imager
- High Sensitivity
- Back Light Compensation With Level Control
- Accepts DC or Video Type Auto-Iris Lens
- AC Line Synchronization With Line Phase

Appearance

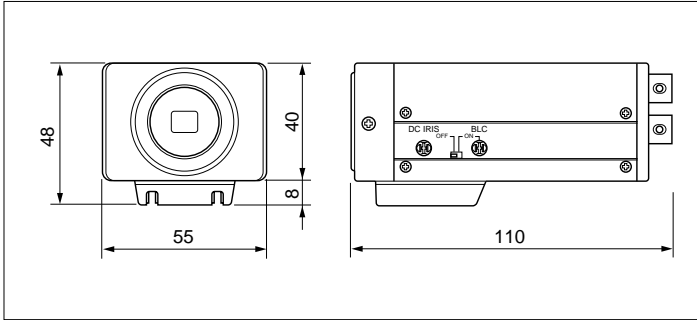
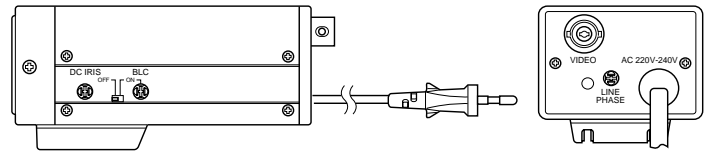
ZC-F10C1



ZC-F10C2



ZC-F10C3



Specifications / ZC-F10C Series CCIR Version

Model		ZC-F10C1	ZC-F10C2	ZC-F10C3
TV System			CCIR System	
Lens Mount			CS Mount	
Image Sensor			1/3 Inches CCD Interline	
Effective Elements			290,000 Pixels, 500 (H) x 582 (V)	
Image Output			1.0V(p-p) / 75% ω	
Resolution (For Horizontal)			More Than 380TVL	
Min. Illuminance			Less Than 0.03Lux (F1.2)	
S/N Ratio			More Than 50dB	
Y Characteristics			0.45	
Sync. System		INT. / VS	INT. / L.L. (Manual Switch)	L.L.
Iris Control	Video Iris	Power / DC8V - 16V, Less Than 50mA Video Signal 0.7V (p-p) (High Impedance)		
	DC Iris	Open - More Than 4V (20mA) Close - Less Than 0.5V		
	AES	1/50 - 100,000Sec. Linear Shutter		
Power Supply		DC12V -10%	AC24V -10% 50Hz -1%	AC230V -10% 50Hz -1%
Power Consumption		Less Than 1.5W	Less Than 4W	Less Than 7W
Ambient Temperature	Operation	-10 $\text{^{\circ}}\text{C}$ - +50 $\text{^{\circ}}\text{C}$		
Ambient Humidity	Operation	RH90% Max. (Keep Free From DAMP)		
Ambient Temperature	Storage	-20 $\text{^{\circ}}\text{C}$ - +60 $\text{^{\circ}}\text{C}$		
Ambient Humidity	Storage	RH95% Max. (Keep Free From DAMP)		
External Dimensions		55 (W) x 48 (H) x 110 (D) mm		
Weight		300g		600g
Input & Output	Video Output	BNC		
	Power Input	Screwless Terminal		Plug With 2 Meters Cable (2 Pin w/o GND)
	Auto Iris	D4-151N-100 (Chuo Musen)		
Switches	Iris Control	Video / AES / DC		
	Sync. System	-----	INT. / L.L.	-----
	BLC	BLC On / Off		
Volume		BLC Level Adjustment		
		-----	Line Lock Phase Adjustment (L.L. Mode)	
		DC Iris Level Adjustment		
Standards	CE Standards	Conformity		
	Safety Standards	VDE Class 2		
	Radio Interference	VDE Class B		

Features and specifications are subjected to change without any notice for further improvement.

EXview HAD CCD is a trademark of SONY Corporation.



CBC GROUP

<http://www.cbc.co.jp>

Tokyo Osaka Nagoya Fukuoka Kanazawa Sendai New York Los Angeles London Milan Paris Düsseldorf Warszawa Hong Kong Taipei Jakarta Bangkok Singapore Shanghai Beijing Bangladesh