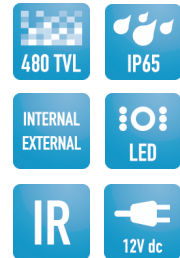


# MDIREX49V

## Vari-focal LED Mini Dome Camera



The MDIREX49V Dome Cameras can be used for a variety of applications and can be integrated into virtually any environment for discreet surveillance due to its small size. The cameras have an automatic electronic shutter system, allowing the dome to compensate quickly and easily for changing lighting conditions.

The MDIREX49V comes complete with a 3.5-8mm Vari-focal Lens. The lens and infrared leds provide optimum performance in demanding lighting conditions making the camera suitable for around the clock surveillance. The camera also has an automatic IR trigger, the IR activates in low light conditions and turns off during normal day light hours allowing effective IR illumination coverage over up to 20 meters. The IR cameras are water resistant with an IP65 rating, making them suitable for outdoor use.

### Key Features

- ▶ 480 TVL Resolution
- ▶ 3.5-8mm Vari Focal Lens
- ▶ External Adjustment of Lens
- ▶ Distance Viewing for up to 20M
- ▶ Uniform IR Light Distribution for Optimum Viewing Angle
- ▶ IP65
- ▶ Double Glass Effectively Reducing the Internal Reflection
- ▶ Aluminium Alloy Housing
- ▶ Small and Discrete
- ▶ 12V DC Only

V1.01

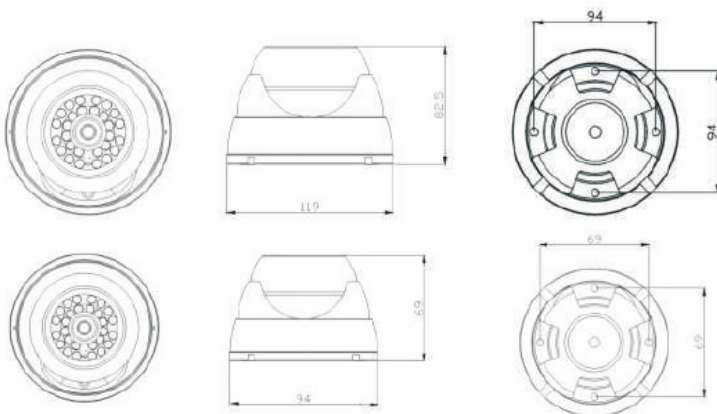
## MDIREX49V

Vari-focal LED dome camera

## Specifications

Description / Model	MDIREX39V
<b>CAMERA MODULE</b>	
Image Sensor	1/3" Interline Transfer CCD
Total Pixels	537 x 597 (PAL), 537 x 505 (NTSC)
Effective Pixels (H/V)	537 x 597 (PAL), 500 x 592 (NTSC)
Sync System	2:1 Internal
Scanning System	625 Lines/50 Fields (PAL) 525 Lines/60 Fields (NTSC)
S/N Ratio	More than 48 Db (AGC OFF)
Electronic Shutter	Auto 1/60 (/) ~ 1/100,000 sec
Horizontal Resolution	420 TVL
Minimum Illumination	0.3 Lux colour / F2.0 (50IRE)
Video Output	1.0 vP-P / 75 ohm composite
IR Distance	20M (28 IR LEDs)
IR Trigger	3.1 lux / 3.7 lux IR ON/OFF
Lens	3.5-8.0mm Vari Focal Lens
<b>ELECTRICAL</b>	
Power Source	12VDC
Power Consumption	5W (Max)
Current	410mA (Max)
Weight (Approx)	760g
Dimension	82.5mm (H) x 119mm(Diam)
Operating Temperature	-10°C ~ 50°C (14°F ~ 122°F)
Storage Temperature	-20°C ~ 70°C (-4°F ~ 158°F)
Certification	CE/FCC
Warranty Period	3 Years
NB. Specification subject to change without notification	

(Unit: mm)



V1.01