



For Security
Fixed Focal

YF4A-SA2B

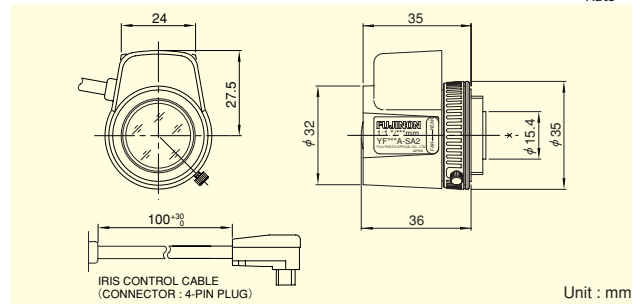
Applicable camera (model)

1	2/3	1/2	1/3	1/4



- Built-in ND filter of T360, supporting super sensitive cameras
- Wide aperture of F1.2, optimizing the performance at low lighting intensity

FIXED	DC	CS-mt	ND	230	F1.2
Fixed Focal	DC Auto Iris	CS Mount	ND Filter	Long Cable	Wide Aperture Rate



FIXED FOCAL LENGTH LENSES

Focal Length (mm)		4
Iris Range		F1.2 ~ T360 (Equivalent to F360)
Operation	Focus	Manual
	Iris	Auto (DC Type) (*1)
Angle Of View (H×V)	1/3"	65°21' × 49°27'
	1/4"	49°27' × 37°15'
Focusing Range (From Front Of The Lens) (m)		∞ ~ 0.1
Object Dimensions at M.O.D. (H×V) (mm)	1/3"	132 × 99
	1/4"	99 × 73
Back Focal Distance (in air) (mm)		8.62
Exit Pupil Position (From Image Plane) (mm)		727
Filter Thread (mm)		—
Mount		CS
Mass (g)		40
Coil Resistance		Drive Coil 200Ω Damping Coil 600Ω
Current Consumption		22mA (Max.) at DC 4V

Remarks

(*1) When power is turned off, iris will automatically be closed.
YF4A-SA2LB : Long Cable Type (230mm)

Wiring

