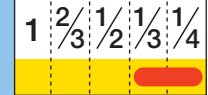




**For Security**  
**Fixed Focal**

# YF2.8A-2

Applicable camera (model)

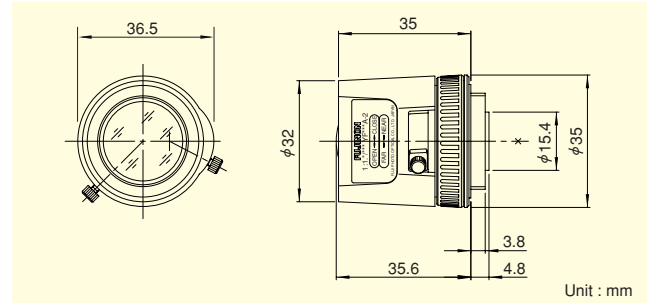


- FIXED**  
Fixed Focal
- WIDE**  
Wide Angle
- MANUAL**  
Manual Iris
- CS-mt**  
CS Mount
- F1.3**  
Wide Aperture Rate



- Super wide angle lens with the horizontal field angle of 96 degrees or more (when used on 1/3" cameras)
- Compact and lightweight design of 40g, best suited for built-in lenses
- Wide aperture of F1.3, optimizing the performance at low lighting intensity

\*Photograph is a similar model.



Focal Length (mm)		2.8
Iris Range		F1.3 ~ Close
Operation	Focus	Manual
	Iris	Manual
Angle Of View (H×V)	1/3"	96°15' × 71°51'
	1/4"	71°51' × 53°45'
Focusing Range (From Front Of The Lens) (m)		∞ ~ 0.1
Object Dimensions at M.O.D. (H×V) (mm)	1/3"	241 × 157
	1/4"	157 × 110
Back Focal Distance (in air) (mm)		8.11
Exit Pupil Position (From Image Plane) (mm)		166
Filter Thread (mm)		—
Mount		CS
Mass (g)		40
Remarks		