



For Surveillance Telephoto Zoom

H22x11.5R2D-ZP1

Applicable camera (model)

1	2/3	1/2	1/3	1/4
---	-----	-----	-----	-----

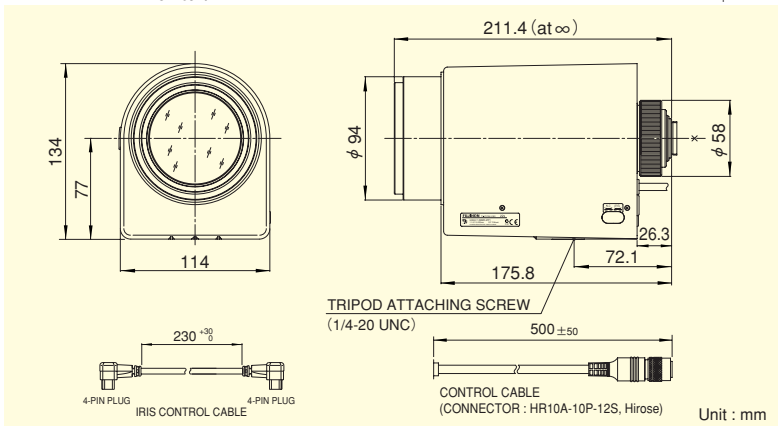
22x



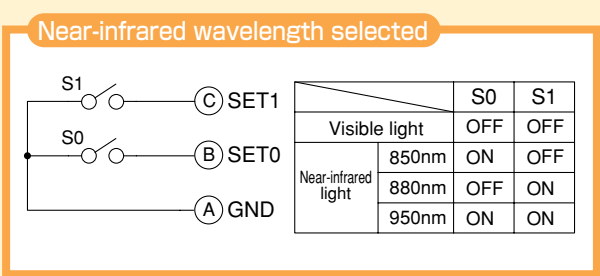
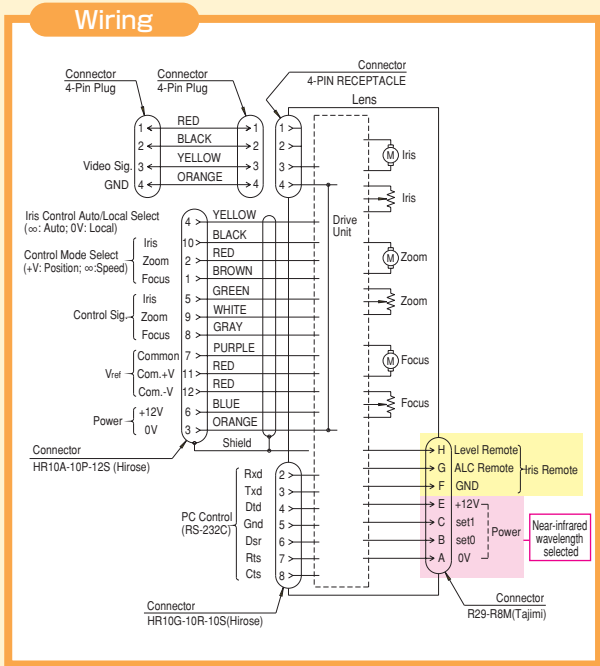
*Photograph is a similar model.

- 22x telephoto zoom lens with near-infrared wavelength selection mechanism, best suited for day and night cameras.
- Achieved telephoto at the field angle of 1°27', best suited for long-distance monitoring such as disaster prevention (when used on 1/2" cameras).
- Equipped with the RS-232C interface for advanced control.
- Compatible with a wide range - 2/3", 1/2" and 1/3" - cameras.

ZOOM Zoom	WIDE Wide Angle	TELE Telephoto Long Focal	MOTOR DRIVE Motor Drive	Day~Night Day & Night	VIDEO Video Auto Iris	IRIS-REMOTE Iris Remote
C-mt C Mount	METAL Metal Mount	PC PC Control	SERVO Full Servo	ND ND Filter	F1.6 Wide Aperture Rate	



Focal Length (mm)		11.5~253 (22x)	
Iris Range		F1.6 ~ T2000 (Equivalent to F2000)	
Operation	Zoom	Servo Control	
	Focus	Servo Control	
	Iris	Auto (Video Type) , Remote (*1) or Servo Control	
Angle Of View (HxV)	2/3"	WIDE	41°52' X 32°01'
		TELE	2°00' X 1°30'
	1/2"	WIDE	31°06' X 23°34'
		TELE	1°27' X 1°05'
	1/3"	WIDE	23°34' X 17°47'
		TELE	1°05' X 0°49'
Focusing Range (From Front Of The Lens) (m)		∞ ~ 3	
Object Dimensions at M.O.D. (HxV) (mm)	2/3"	WIDE	2213 X 1660
		TELE	101 X 75
	1/2"	WIDE	1609 X 1207
		TELE	73 X 55
	1/3"	WIDE	1207 X 905
		TELE	55 X 41
Back Focal Distance (in air) (mm)		36.16	
Exit Pupil Position (From Image Plane) (mm)		-103	
Filter Thread (mm)		M82 X 0.75	
Mount		C	
Mass (kg)		2.5	
Standard Accessories		Iris Control Cable Connection Connector (8-pin)	
Remarks		• With Metal Mount (*1) For Iris remote function please refer to page (K-1)	



Accessories

■ Extender	
Model	Magnification
HE15-1	1.5X
HE20-1	2X