



**For Security  
Zoom**

Applicable camera (model)

# H22x11.5B-S41

1	2/3	1/2	1/3	1/4
---	-----	-----	-----	-----

**22x**



**ZOOM**  
Zoom

**WIDE**  
Wide Angle

**TELE**  
Telephoto  
Long Focal

**MOTOR DRIVE**  
Motor Drive

**VIDEO**  
Video Auto Iris

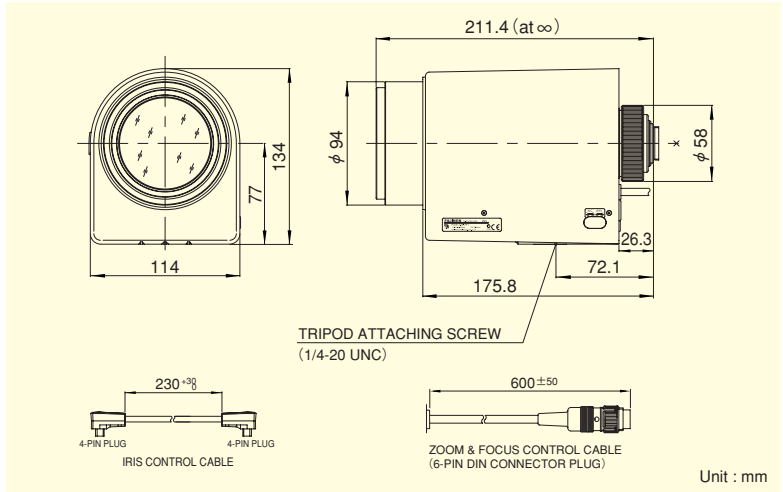
**C-mt**  
C Mount

**METAL**  
Metal Mount

**F1.6**  
Wide Aperture  
Rate

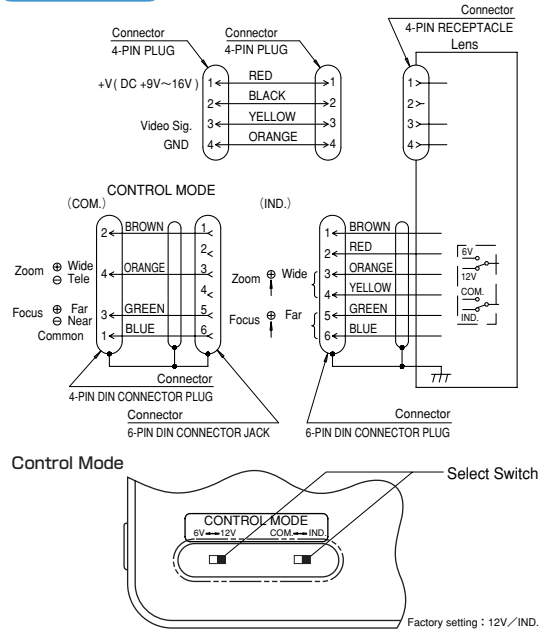
**ND**  
ND Filter

- Achieved telephoto at the field angle of 1°27', best suited for long-distance monitoring such as disaster prevention (when used on 1/2" cameras)
- Multiple power supply (6V, ±6V, 12V, ±12V) supported, enabling the use of existing control systems
- Compatible with a wide range - 2/3", 1/2" and 1/3" - cameras
- Built-in ND filter of T2000, supporting super sensitive cameras



Focal Length (mm)		11.5~253 (22x)	
Iris Range		F1.6 ~ T2000 (Equivalent to F2000)	
Operation	Zoom	Motor Drive	
	Focus	Motor Drive	
	Iris	Auto (Video Type)	
Angle Of View (H×V)	2/3"	WIDE	41°52' × 32°01'
		TELE	2° × 1°30'
	1/2"	WIDE	31°06' × 23°34'
		TELE	1°27' × 1°05'
	1/3"	WIDE	23°34' × 17°47'
		TELE	1°05' × 0°49'
Focusing Range (From Front Of The Lens) (m)		∞ ~ 3	
Object Dimensions at M.O.D. (H×V) (mm)	2/3"	WIDE	2213 × 1660
		TELE	101 × 75
	1/2"	WIDE	1609 × 1207
		TELE	73 × 55
	1/3"	WIDE	1207 × 905
		TELE	55 × 41
Back Focal Distance (in air) (mm)		36.16	
Exit Pupil Position (From Image Plane) (mm)		-103	
Filter Thread (mm)		M82 × 0.75	
Mount		C	
Mass (kg)		2.3	
Standard Accessories		Iris Control Cable Conversion Cable (6-pin→4-pin) Connection Connector (4-pin, 6-pin)	
Remarks		• With Metal Mount	

## Wiring



Controller output	Select switch position	Conversion cable (Standard accessory)
6V	6V/IND.	Not necessary
±6V	6V/COM.	Necessary
12V	12V/IND.	Not necessary
±12V	12V/COM.	Necessary

## Accessories

### Extender

Model	Magnification
HE15-1	1.5X
HE20-1	2X

### Control Unit

Model	CRD-2A	CRD-2B
Operation	Zoom, Focus	
Power Source	AC 100V/120V/220V/240V 50/60Hz	

### AC Power Cord

Japan	PCA-1
U.S.A./Canada	PCA-2
Continental Europe	PCA-3
Australia	PCA-4
Without AC Plug	PCA-5

### Extension Cable

CRD-2A	CEC-AA102-11 (10m) CEC-AA202-11 (20m)
CRD-2B	CEC-AB102-11 (10m) CEC-AB202-11 (20m)



**For Security  
Zoom**

Applicable camera (model)

# H22x11.5B-Y41

1	2/3	1/2	1/3	1/4
---	-----	-----	-----	-----

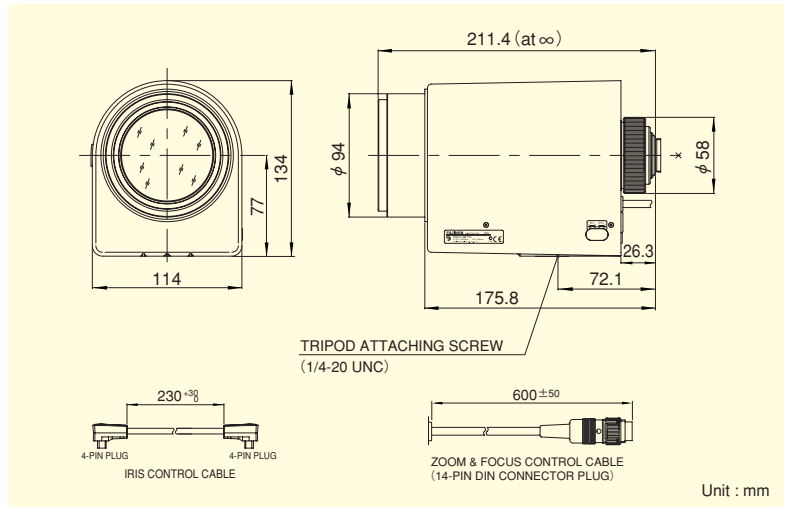
22x



\*Photograph is a similar model.

- Achieved telephoto at the field angle of 1°27', best suited for long-distance monitoring such as disaster prevention (when used on 1/2" cameras)
- Multiple power supply (6V, ±6V, 12V, ±12V) supported, enabling the use of existing control systems
- Built-in potentiometer, supporting the preset-enabled specification
- Compatible with a wide range - 2/3", 1/2" and 1/3" - cameras
- Built-in ND filter of T2000, supporting super sensitive cameras

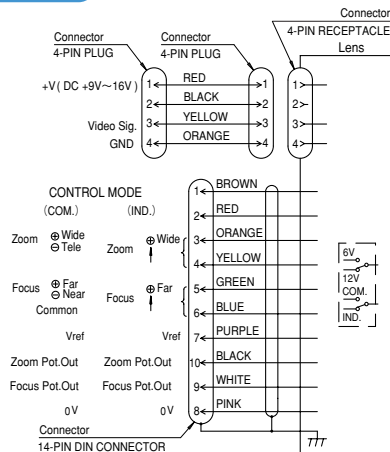
<b>ZOOM</b> Zoom	<b>WIDE</b> Wide Angle	<b>TELE</b> Telephoto Long Focal	<b>MOTOR DRIVE</b> Motor Drive	<b>VIDEO</b> Video Auto Iris	<b>C-mt</b> C Mount	<b>METAL</b> Metal Mount
<b>PRESET</b> Potentiometer	<b>ND</b> ND Filter	<b>F1.6</b> Wide Aperture Rate				



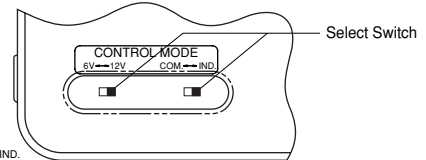
Unit : mm

Focal Length (mm)		11.5~253 (22x)	
Iris Range		F1.6 ~ T2000 (Equivalent to F2000)	
Operation	Zoom	Motor Drive	
	Focus	Motor Drive	
	Iris	Auto (Video Type)	
Angle Of View (H×V)	2/3"	WIDE	41°52' × 32°01'
		TELE	2° × 1°30'
	1/2"	WIDE	31°06' × 23°34'
		TELE	1°27' × 1°05'
	1/3"	WIDE	23°34' × 17°47'
		TELE	1°05' × 0°49'
Focusing Range (From Front Of The Lens) (m)		∞ ~ 3	
Object Dimensions at M.O.D. (H×V) (mm)	2/3"	WIDE	2213 × 1660
		TELE	101 × 75
	1/2"	WIDE	1609 × 1207
		TELE	73 × 55
	1/3"	WIDE	1207 × 905
		TELE	55 × 41
Back Focal Distance (in air) (mm)		36.16	
Exit Pupil Position (From Image Plane) (mm)		-103	
Filter Thread (mm)		M82 × 0.75	
Mount		C	
Mass (kg)		2.3	
Standard Accessories		Iris Control Cable	
Remarks		• With Metal Mount	

## Wiring



## Control Mode



Factory Setting : 12V / IND.

Controller output	Select switch position
6V	6V / IND.
±6V	6V / COM.
12V	12V / IND.
±12V	12V / COM.

## Accessories

### Extender

Model	Magnification
HE15-1	1.5X
HE20-1	2X