



**For Security
Zoom**

Applicable camera (model)

C22×17A-M41

1	2/3	1/2	1/3	1/4
---	-----	-----	-----	-----

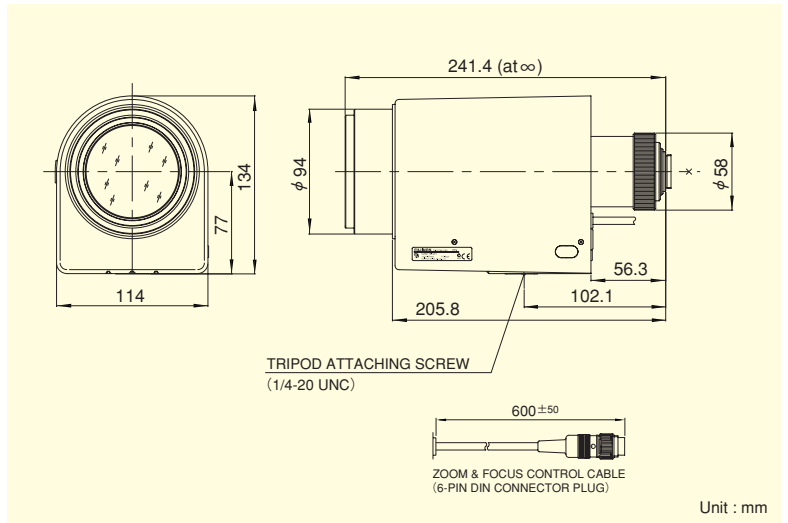
22×



※Photograph is a similar model.

- ZOOM**
Zoom
- WIDE**
Wide Angle
- TELE**
Telephoto
Long Focal
- MOTOR DRIVE**
Motor Drive
- REMOTE**
Remote Iris
- C-mt**
C Mount
- METAL**
Metal Mount

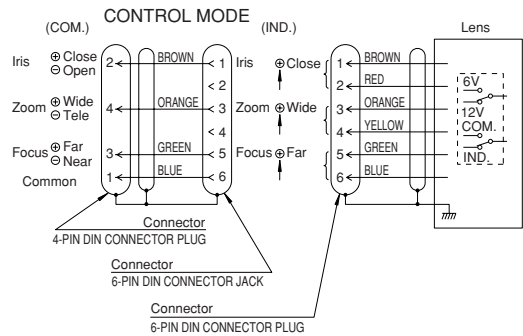
- Achieved telephoto at the field angle of 1°01', best suited for long-distance monitoring such as disaster prevention (when used on 1/2" cameras)
- Multiple power supply (6V, ±6V, 12V, ±12V) supported, enabling the use of existing control systems
- Compatible with a wide range - 1", 2/3" and 1/2" - cameras



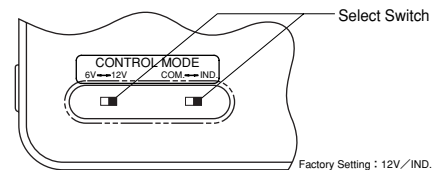
ZOOM LENSES

Focal Length (mm)		17~374 (22×)	
Iris Range		F2.3 ~ F22 · Close	
Operation	Zoom	Motor Drive	
	Focus	Motor Drive	
	Iris	Motor Drive	
Angle Of View (H×V)	1"	WIDE	41°16' × 31°32'
		TELE	1°58' × 1°28'
	2/3"	WIDE	29°01' × 21°58'
		TELE	1°21' × 1°01'
	1/2"	WIDE	21°19' × 16°04'
		TELE	0°59' × 0°44'
Focusing Range (From Front Of The Lens) (m)		∞ ~ 3	
Object Dimensions at M.O.D. (H×V) (mm)	1"	WIDE	2178 × 1633
		TELE	99 × 74
	2/3"	WIDE	1497 × 1123
		TELE	68 × 51
	1/2"	WIDE	1089 × 817
		TELE	50 × 37
Back Focal Distance (in air) (mm)		66.93	
Exit Pupil Position (From Image Plane) (mm)		-127	
Filter Thread (mm)		M82 × 0.75	
Mount		C	
Mass (g)		2.5	
Standard Accessories		Conversion Cable (6-pin→4-pin) Connection Connector (4-pin, 6-pin)	
Remarks		• With Metal Mount	

Wiring



Control Mode



Controller output	Select switch position	Conversion cable (Standard accessory)
6V	6V/IND.	Not necessary
±6V	6V/COM.	Necessary
12V	12V/IND.	Not necessary
±12V	12V/COM.	Necessary

Accessories

Extender

Product Name	Magnification
HE15-1	1.5×
HE20-1	2×

Control Unit

Product Name	CRD-2A	CRD-2B
Operation	Zoom, Focus, Iris	
Power Source	AC 100V/120V/220V/240V 50/60Hz	

AC Power Cord

Japan	PCA-1
U.S.A./Canada	PCA-2
Continental Europe	PCA-3
Australia	PCA-4
Without AC Plug	PCA-5

Extension Cable

CRD-2A	CEC-AA102-11 (10m)	CEC-AA202-11 (20m)
CRD-2B	CEC-AB102-11 (10m)	CEC-AB202-11 (20m)