



N233VE/P  
3MP Fixed IR Vandal Dome IP Camera

# FLIR IP™

## Fixed IP Dome Camera

The FLIR Fixed IR Dome IP Camera offers HD picture quality in real time with outstanding night vision capabilities. Installation is made easy with PoE operation included. Built rugged, the FLIR's Fixed IR Dome IP Camera is suitable for both indoor and outdoor installations (IP66 rated) and cold climates (-22°F/-30°C).

### HD PICTURE QUALITY

*Outstanding image detail, both day and night*

- 3MP HD, 3MP @ 20fps, 2MP HD @ 25/30fps, 1/3" CMOS, 2.8mm lens, 72ft/22m IR

### EASY INSTALLATION

*PoE (Class 3) support for simplified cabling*

- 12V / PoE (802.3af) operation
- Onvif Profile S conformance
- 3 Axis design for wall/ceiling mounting

### RUGGED DESIGN

*Durable weatherproof housing*

- IP66 weatherproof rated / IK10 rated
- Cold climate capable (-22°F/-30°C)
- True Day/Night with ICR, 3D-DNR, D-WDR

### FLIR CLOUD REMOTE VIEWING

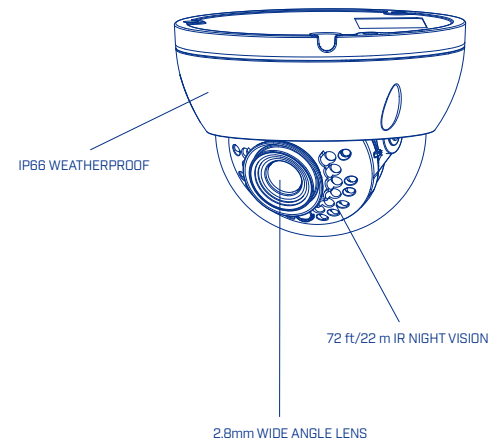
*Remote access via iOS, Android, PC/Mac with FLIR Cloud*

- Centralized viewing and control of up to 64 cameras on each screen with PC/Mac
- Access live or recorded video at any time on your iPad, iPhone or Android device
- Advanced mobile app features including remote playback, push notifications for motion/alarm, E-map, manual record/snapshot to device



## Specifications

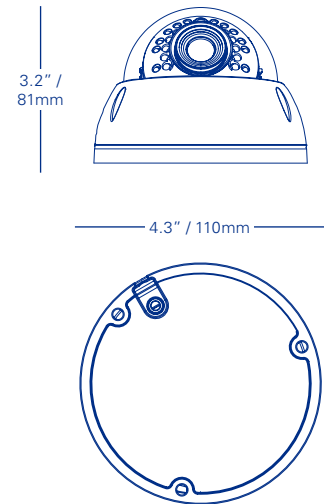
Camera		N233VE/P
Imaging Device		3 MP, 1/3"
Effective Pixels		2048 (H) x 1536 (V)
Image Type		CMOS
Image Readout		Progressive Scan
Day / Night		Auto(ICR)/Color/B/W
Mechanical IR Cut Filter		Yes
Min. Illumination		0.1lux (Color) 0.01lux (B/W)
S/N Ratio		>50dB
Field of View (H)		82°
IR Illumination		72ft/22m, 850nm
IR On / Off Control		Yes
Video Output		RJ45
Electronic Shutter Range		1/4~1/10,000s
Optical		
Lens Type		Fixed
Mount Type		Board type
Focal Length		2.8mm
Aperture		F2.0
Video		
Video Compression		H.264 / MJPEG
Video Streams		H.264 & MJPEG Dual Stream
Resolution Selection		3MP (2048x1536) / 1080P (1920x1080) / 720P(1280x720) / D1 (704x480) / CIF (352x240)
Aspect Ratio		4:3
Frame rates (Maximum)		3 MP @ 20fps 1080p / 720p @ 25/30 fps
Bit Rate Control		CBR / VBR with cap
Bit Rate Selection		H.264: 40K ~ 8192Kbps; MJPEG: 40K ~ 16384Kbps
Wide Dynamic Range		Digital WDR
Backlight Compensation		BLC / HLC
White Balance		Auto / Manual
Gain Control		Auto / Manual
Noise Reduction		3D
Video Mirroring		Horizontal Mirror / Vertical flip
Video Overlay		Time / Date / Camera / Custom
Window Blanking (Privacy)		Up to 4 Areas
Menu Languages		English
Network		
Protocols		IPv4 / IPv6, HTTP, HTTPS, SSL, TCP / IP, UDP, UPnP, ICMP, IGMP, SNMP, RTSP, RTP, SMTP, NTP, DHCP, DNS, PPPoE, DDNS, FTP, IP Filter, QoS, Bonjour
ONVIF Conformance		Profile S
Users		Up to 20 users



## Specifications

<b>Mechanical</b>	
Product Dimensions (Diag x H)	up to $\Phi 4.3"$ x $3.2"$ $\Phi 110\text{mm}$ x $81\text{mm}$
Product Weight	0.8lbs / 0.4kg
<b>Electrical</b>	
Network Port	RJ45 (10 / 100 Base-T)
Power Input	12V DC, PoE (802.3 af)
Power Consumption (Maximum)	4.8W
Current Consumption (Maximum)	400mA
<b>Environmental</b>	
Operating Temperature	-22°F ~ 140°F / -30°C ~ 60°C
Operating Humidity	Less than 95% RH
Ingress Protection	IP66
Vandal Resistance	IK10 Rated

## Dimensions



### Ordering Information

N233VE: 8-41430-01054-8  
N233VEP: 8-41430-01148-4

### Package Dimensions

N233VE/P: 5.5 x 5.4 x 4.5" /  
136 x 137 x 113mm

### MARKHAM, ONTARIO

FLIR Systems, Inc.  
250 Royal Crest Court  
Markham, ON L3R 3S1  
Canada  
PH: +1 866.344.4674

### PORTLAND

Corporate Headquarters  
FLIR Systems, Inc.  
27700 SW Parkway Ave.  
Wilsonville, OR 97070  
USA  
PH: +1 866.477.3687

[www.flir.com/security](http://www.flir.com/security)  
NASDAQ: FLIR

Equipment described herein may require US Government authorization for export purposes. Diversion contrary to US law is prohibited. Imagery for illustration purposes only. Specifications are subject to change without notice. ©2015 FLIR Systems, Inc. All rights reserved. [Created 11/20/15]