



formerly DIGIMERGE



DPV74TLUX

Premium 700+ TVL UL Rated 3.5-16mm Varifocal Smart IR Vandal Dome

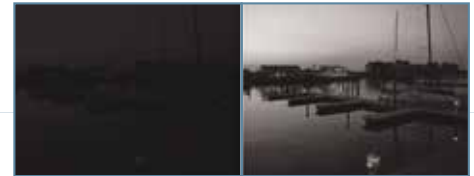


FLIR's Pinnacle PLUS 700+ TVL Varifocal IR Vandal Dome Camera delivers the most comprehensive premium surveillance feature set. The built-in video balun (UTP) allows for cost effective wiring alternatives to traditional coaxial cabling. For additional convenience and ease-of-use, Up-the-Coax (UTC) enables simple OSD adjustments via a remote controller. DPV74TLUX is UL approved (standard 60065), making it an ideal and qualified choice for a wide array of projects ranging from small businesses to industrial and government applications.

DPV74TLUX is well-suited for harsh climates with an IP67 rating plus ArcticPro technology and a Cold Starter (minimum operating temperature of -40°F). The 700+ TVL resolution combined with a wide range 3.5-16mm varifocal lens ensure a crystal clear image. Night vision technologies include Polaris Vision2 low light viewing, Smart-IR night vision up to 100ft (31m) with adjustable LED power level, and True Day/Night with ICR.

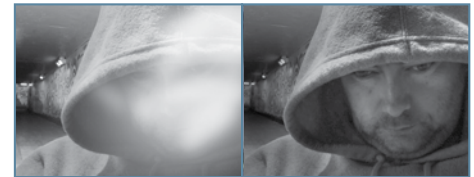
Features

- ◆ 1/3" Sony EX-View™ II 960H /700+ TVL
- ◆ UL standard 60065 approved
- ◆ Built-in video balun (UTP)
- ◆ Up-the-coax (UTC) OSD adjustment via UTC controller*
- ◆ Polaris Vision2 low light viewing
- ◆ Smart-IR Night Vision (100ft/31m) with adjustable LED Power Level
- ◆ 3.5-16mm Auto Iris D/N Varifocal Lens, True Day Night with ICR (TDN)
- ◆ IP67 Weatherproof rated
- ◆ Advanced 3D Digital Noise Reduction (3D-DNR)
- ◆ ArcticPro technology for harsh climates with Cold Starter (minimum operating temperature -40°F)
- ◆ Precise zoom/focus adjustment with included adjustment tool
- ◆ Service Monitor Output, 24V AC Operation
- ◆ Full 90° tilting angle, surface and flush mountable



Typical DPV74TLUX

Polaris Vision2



Typical DPV74TLUX

Smart IR



Typical DPV74TLUX

Smart DZoom



Typical DPV74TLUX

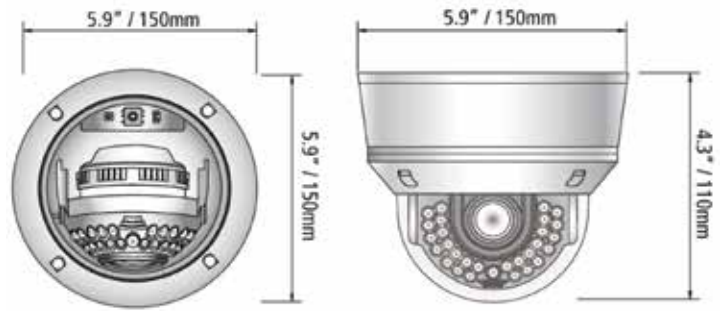
3D-DNR

* UTC controller accessory sold separately

Specifications

Power Source:	AC 24V ± 10%
Power Consumption:	7W without heater /18W with heater
Minimum Power Requirement:	290mA without heater / 780mA with heater
Image Sensor:	1/3" SONY EXview HAD 960H CCD II™
Effective Pixels:	976 (H) x 494 (V)
Scanning System:	2:1 Interlace
Sync. System:	Internal/Line Lock
Resolution:	700+ TV Lines
Min. Illumination:	0.01 Lux/ F1.2(Color) 0 Lux w/IR LED
Video Output:	1.0 Vp-p (75 ohm, composite)
S/N Ratio:	52dB (AGC OFF)
3D-DNR:	On/Off (Adjustable Gain)
D-WDR:	On/Off (level selectable)
BLC / HSBL:	On/Off
HLC:	Auto/On/Off
Day & Night:	Color/BW/Auto
Motion Detection:	On/Off (4 Programmable zones)
Sens-up (DSS):	Auto/Off (Selectable limit 2x ~ 256x)
Digital Image Stabilization (DIS)	On/Off
Defog	On/Off
Privacy Masking:	On/Off (8 Programmable zones)
White Balance:	ATW/AWB/AWC/Manual
Auto Gain Control:	High / Medium / Low
Electronic Shutter Speed:	Auto/Manual
Sharpness:	On/Off (level adjustable)
Flip:	Mirror/V-flip/Rotate
Effect:	D-Zoom (pan/tilt), Smart D-zoom (motion)
Monitor Adjustment	LCD/CRT/User
Setup Method:	OSD controller on camera / UTC controller
OSD Language:	English
Power Input:	2-Pin terminal block
Video Output:	BNC connector / UTP connector
Lens Mount:	Fixed mount
Lens:	3.5-16mm AI day/night varifocal
Operating Temperature:	-40°C ~ +50°C/-40F ~ 122°F
Operating Humidity:	0 ~ 95% (non-condensing)
Ingress Rating	IP67
Junction Box Compatibility	2S, Two Gang
External Dimension (HxWxD):	4.3 x 5.9 x 5.9" / 110 x 150 x 150mm
Weight:	2.2lb / 1.0kg

Dimensions



Product Information

UPC:	8-41430-00881-1
Weight:	1.5kg/3.3lbs
Package Dimensions:	193 x 226 x 175mm/ (W x D x H)
Package Cube:	0.0073 cbm/0.27cu ft

What's Included:

Video Test Cable
Zoom/Focus Adjustment Tool
Mounting Templates
Instruction Manual

Optional Accessories

Junction Box (Order MNTV74J)
Wall Mount (Order MNTV74W)
Ceiling Mount (Order MNTV74C)
UTC Controller (Order ACCUTC1)