

FLIR MPX™

MPX Bullet Cameras



C234BC / C234BCP
1.3MP HD Varifocal WDR
Bullet MPX Camera



C237BC / C237BCP
1.3MP HD Motorized Varifocal
WDR Bullet MPX Camera

The FLIR 1.3MP HD Varifocal WDR Bullet MPX Cameras use the latest HD-CVI technology and True WDR to deliver excellent 720p picture quality over coax cabling in any lighting condition. Ideal for retrofit applications, the cameras are compatible with FLIR MPX DVRs offering an upgrade to HD resolution without the hassle of running new cables. Dual video output offers simultaneous HD and 960H video streams. The C237 series adds the ability to remotely adjust zoom and focus.

HD PICTURE QUALITY

Outstanding image detail, both day and night

- C234BC - 1.3MP HD, 720p @ 25/30 FPS, 1/3" CMOS, 2.8-12mm Varifocal lens, 115ft / 35m IR
- C237BC - 1.3MP HD, 1080p @ 25/30 FPS, 1/3" CMOS, 2.8-12mm Motorized Varifocal lens, 115ft / 35m IR

EASY INSTALLATION

Upgrade to HD without the expense of re-cabling

- Dual BNC output – MPX 720p / 960H Analog
- Cable pass-through bracket design
- Remote zoom and focus adjustment (C237 Series only)

SUPERIOR PERFORMANCE

Virtually no latency, extended cable runs up to 2296ft / 700m

- IP66 weatherproof rated housings
- -22°F (-30°C) Cold Climate Capable

Specifications

Camera	C234BC / C234BCP	C237BC / C237BCP
Imaging Device	1/3" Exmor™	
Effective Pixels	1305 (H) x 1049 (V)	
Image Type	CMOS	
Image Readout	Progressive Scan	
Day/Night	Y	
Mechanical IR Cut Filter	Y	
Min. Illumination	0.1 Lux @ F1.2 (Color)	
S/N Ratio	≥50dB (AGC OFF)	
Horizontal Field of View	30 - 80° (MPX / 960H)	
IR Illumination Range	115ft / 35m	
IR Wavelength	840~850nm	
IR On/Off Control	N	
Video Output	BNC (720p MPX, Digital) BNC (960H, Analog)	
Electronic Shutter Range	1/60 (1/50) ~ 1/60,000	
Optical		
Lens Type	Board Type	
Focal Length	2.8-12mm	
F-Number	F1.4	
Zoom	Y - Manual	Y - Motorized*
Iris Control Type / Adjustment	Electronic / Auto or Manual	
Video		
Frame rates	25/30fps	
Backlight Compensation	BLC / HLC	
Wide Dynamic Range	True WDR	
White Balance	Auto / ATW / Preset / Manual	
Gain Control	AGC - 0-20 Selectable	
Noise Reduction	2D/3D - Low/Mid/High Selectable	
Window Blanking	Y - 15 Zone Selectable	
Menu Languages	English, German, French, Spanish, Russian, Polish, Italian, Portuguese	
Mechanical		
Construction	Aluminum Alloy	
Product Dimensions (W x H x D)	3.9" x 3.5" x 10.6" / 99mm x 89mm x 269mm	
Product Weight	1.7lbs / 0.8kg	
Electrical		
Power Input	12V DC / 24V AC	
Power Consumption	8W	11.5W
Current Consumption	510mA (12V) / 320mA (24V)	750mA (12V) / 470mA (24V)
Built-in Heater	N	
Alarm I/O	N	
Environment		
Operating Temperature	-22°F - 122°F / -30°C - 60°C	
Operating Humidity	≤85% RH	
Ingress Protection	IP66	
Vandal Resistance	N	
Certifications		
Certifications	FCC, CE, ROHS	

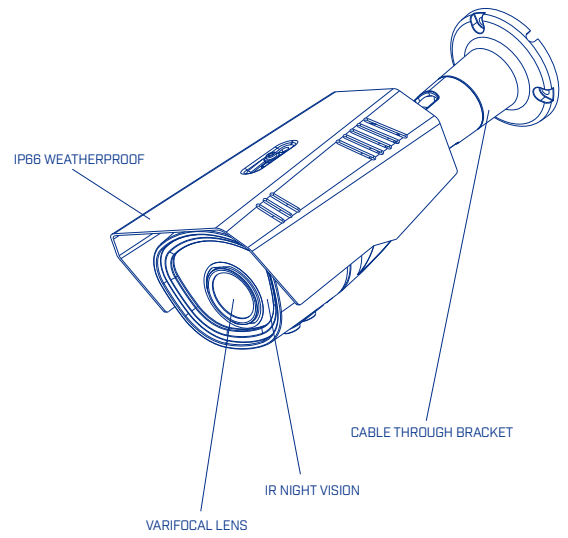
* Remote Zoom/focus adjustment through DVR when using MPX video output only. No remote zoom/focus control supported through standard analog video output. Instead, OSD controller can be utilized during setup for zoom/focus adjustment

Ordering Information

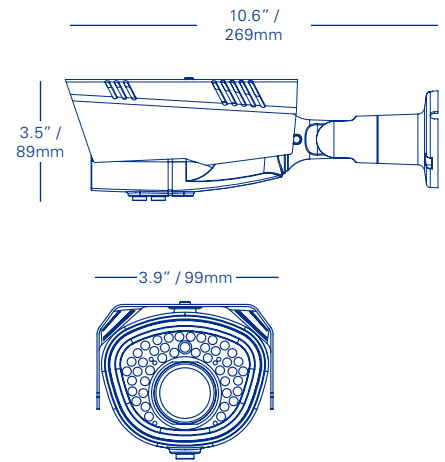
C234BC: 8-41430-01058-6
 C237BC: 8-41430-01078-4
 C234BCP: 8-41430-01116-3
 C237BCP: 8-41430-01204-7

Package Dimensions

9.6 x 5.8 x 5.2" / 245 x 148 x 132mm



Dimensions



MARKHAM, ONTARIO

FLIR Systems, Inc.
 250 Royal Crest Court
 Markham, ON L3R 3S1
 Canada
 PH: +1 866.344.4674

PORTLAND

Corporate Headquarters
 FLIR Systems, Inc.
 27700 SW Parkway Ave.
 Wilsonville, OR 97070
 USA
 PH: +1 866.477.3687

www.flir.com/security
 NASDAQ: FLIR

Equipment described herein may require US Government authorization for export purposes. Diversion contrary to US law is prohibited. Imagery for illustration purposes only. Specifications are subject to change without notice. ©2015 FLIR Systems, Inc. All rights reserved. [Created 05/22/15]