

# 112V

## VIDEO MULTIMODE FIBER



### FEATURES

- One-Way Transmission, One Fiber.
- Works With All Cameras.
- Transmitter is Designed Specifically for Use Within Environmental Housings.
- AGC Circuitry.
- Operates Over Distances Up To 8000 Feet (2439 Meters).
- Modular Units or Rack Cards.

### VIDEO

- 8 MHz Bandwidth:  $\pm 1$  dB.
- Signal-to-Noise Ratio:  $> 50$  dB at maximum optical attenuation.
- I/O Level: 1 V peak-to-peak.
- I/O Impedance: 75 ohms.
- Differential Gain:  $< 5\%$ .
- Differential Phase:  $< 5^\circ$ .
- Connectors: Optical, AT&T Type ST; Video, BNC.

### POWER/TEMPERATURE/SIZE

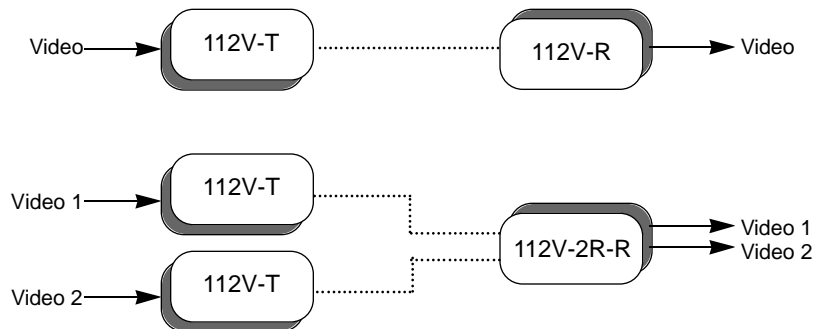
- Transmitters powered by +12 VDC @ 75 mA (two 18 inch flying leads #22 AWG); receivers powered by +12 VDC @ 75 mA or by the 610P AC adapter.
- Operates at 32° to 122° F (0° to 50° C).
- Storage at -40° to 185° F (-40° to 85° C).
- Transmitter: .56" dia x 1.63" long (1.42 cm dia. x 4.14 cm long). Receiver: 2.81" W X 3.75" D X 1.1" H (7.14 cm x 9.53 cm x 2.79 cm).
- Rack receivers occupy one rack slot.

### OPTIONS

- Transmitter: For AC operation order one 612P adapter per unit. Receiver: For AC operation order one 610P per unit.



Fiber Options' Series 112V Video System transmits standard video signals. A complete Series 112V System consists of a miniature video transmitter (part number 112V-T) and a modular or rack-mounted receiver (part number 112V-R or 112V-R-R). The transmitter has been designed specifically for easy installation near CCTV cameras enclosed within environmentally secure housings.



Part Number	Description	Product Code	Fiber Qty / Size	Maximum Attenuation	Wavelength	Comments
112V-T	Transmitter	1BXX	1 / 62.5 $\mu$	10 dB	850 nm	If ordering units for use with 50 $\mu$ fiber reduce the optical budget by 3 dB. Higher optical budgets available. Consult factory.
112V-R	Receiver	1BXX				
112VL-T	Transmitter	1BXX	1 / 62.5 $\mu$	10 dB	1300 nm	An 18" coax cable with BNC terminations is supplied as part of the 112V-T or 112VL-T.
112VL-R	Receiver	1BXX				
112V-2R-R	Receiver	1BXX	2 / 62.5 $\mu$	10 dB	850 nm	
112VL-2R-R	Receiver	1BXX	2 / 62.5 $\mu$	10 dB	1300 nm	

To specify units for rack mounting, add -R to the part number. Transmitters are available as modular only; dual-channel receivers are available as racked units only. For mounting rack units for standalone use, order the 501R Miniature Enclosure with the 615P DC Adapter.