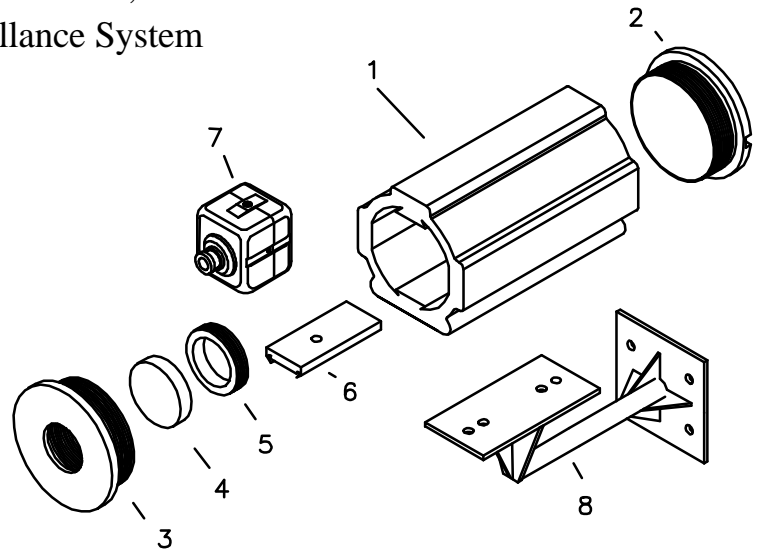


EX50 Explosion Protected and Ballistic Rated, Multi-Purpose Compact Surveillance System

The world's only explosion protected and bullet resistant surveillance camera system is also simple to install. It has been designed for a multitude of applications from explosive gas environments to outdoor urban street surveillance. The EX50 can be considered explosion proof, bullet proof, water proof, dust proof, bug proof and just-about-anything-else proof for practical applications anywhere. (See certifications and test results or consult with Extreme CCTV engineers for any known limitations).

A variety of compact CCD cameras with C-mount lenses and mini-lenses can fit in the EX50. Extreme CCTV recommends its Model EX5S.400 Series Monochrome CCD camera.

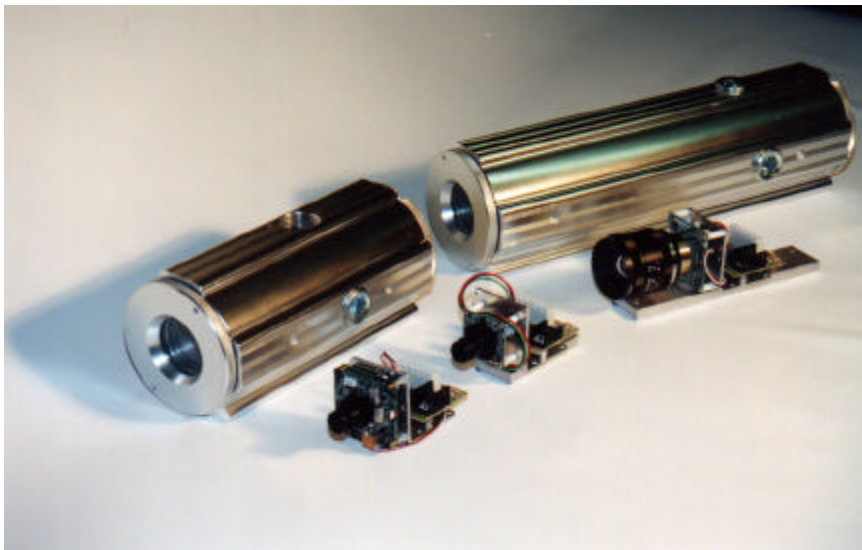


Features:

- Heavy Duty Extruded Aluminum Design
- UL Class I Groups A, B, C, D, Div 1 & 2
- UL Class II Groups E, F, G, Div 1 & 2
- CSA approved
- Easy access slide tray for camera guide
- 3/8" chemical resistant Pyrex window
- Ballistics insert (optional)

Legend:

1. EX50 housing Copper-Free Aluminum.
2. End cover with locking pin.
3. Cover with 3/8" tempered glass & locking pin.
4. View window, optional ballistics insert
5. Retaining ring.
6. Camera guide tray with locking pin.
7. Compact monochrome CCD camera (optional).
8. Standard mounting hardware (optional).



Left: Installation of standard compact cameras such as Extreme CCTV's EX5 Series is made easy with the sliding camera guide tray. The Voltage Regulator Board (VRB) on the EX5 cameras shown are designed for simple hardwiring of video and power. The VRB allows for input voltages of 12 to 24 volts in AC or DC, and protects the electronics from power surges.

Dealer / Distributor :

Derwent Extreme Technologies Inc.

Global HQ: www.ExtremeCCTV.com

USA / Canada: 4060 McConnell Drive, Burnaby, BC Canada V5A 3A8
Toll Free N.A. 888-409-2288 Tel. +1.604.533.6644 Fax +1.604.533.7800

General Specifications:

Construction: Aluminum, Extruded, Copper-Free
 Dimensions: See dimension drawing
 Weight: EX50.070: 5 lbs (2.3 kg) w/o camera
 EX50.120: 10 lbs (4.5 kg) w/o camera

Suitable Compact CCD Cameras:

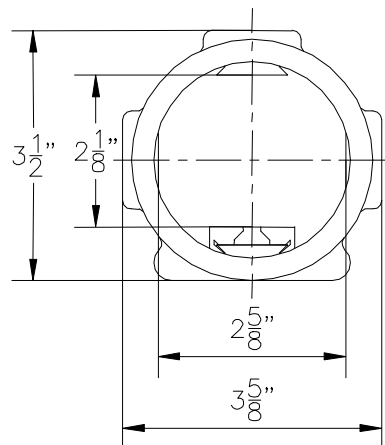
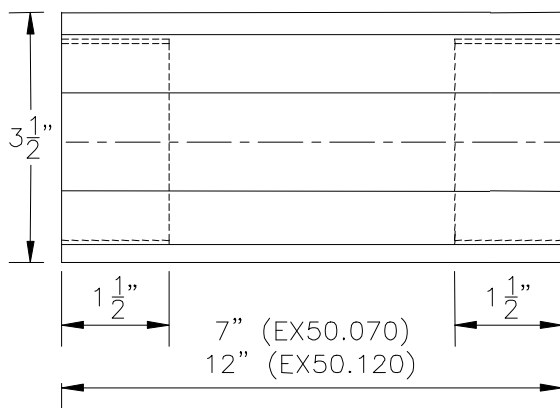
EX5S.104 Extreme CCTV

Certifications:

Explosion: Class I, Groups A, B, C, D, Div 1&2
 Class II, Groups E, F, G, Div 1&2
 Ballistic: 38 caliber, 9 mm, Lexgard™ 3/4"
 (optional ballistics insert)
 Environmental: NEMA 4 equivalent



Above: A compact camera with an auto-iris C-mount lens can provide high performance video in this versatile, cost effective, explosion proof EX50.070 housing. The EX5S404 camera above is shown with the optional heater / blower / controller kit. The longer version EX50.120 can house many full-size, multi-feature CCTV cameras.



Part Numbers:

EX50.070 with 3 entry plugs (camera not included)
EX50.120 with 4 entry plugs (camera not included)

Optional Items

EX5S.404 B&W Board Assembly c/w VRB, CCD, lens
EX5C.304 Color Board Assembly c/w VRB, CCD, lens
Other CCD options available on request

EXBI.100 Ballistic Insert Lexan 0.75 inch for EX50
EXMB.001 Mounting Bracket, Pan/Tilt Adjust - Wall Mount
EXHB.512 Heater / Blower / Thermostat 12 VDC
EXHB.524 Heater / Blower / Thermostat 24 VAC

Applications:

- **Hazardous Location surveillance**
- **Explosion Protected surveillance**
- **Rugged All-Weather surveillance**
- **Factories, Industrial Plants**
- **Grain Elevators**
- **Munitions Storage**
- **Fuel Storage Facilities**
- **Government Housing Projects**

Dealer / Distributor :

Derwent Extreme Technologies Inc.

Global HQ: www.ExtremeCCTV.com

USA / Canada: 4060 McConnell Drive, Burnaby, BC Canada V5A 3A8
Toll Free N.A. 888-49-2288 Tel. +1.604.533.6644 Fax +1.604.533.6610